



US010852059B2

(12) **United States Patent**
Krishnamurthy et al.

(10) **Patent No.:** **US 10,852,059 B2**

(45) **Date of Patent:** **Dec. 1, 2020**

(54) **MULTIPLE PRESSURE MIXED REFRIGERANT COOLING SYSTEM**

(56) **References Cited**

(71) Applicant: **Air Products and Chemicals, Inc.**,
Allentown, PA (US)

(72) Inventors: **Gowri Krishnamurthy**, Sellersville, PA (US); **Mark Julian Roberts**, Kempton, PA (US); **Adam Adrian Brostow**, Emmaus, PA (US)

U.S. PATENT DOCUMENTS

4,229,195 A	10/1980	Forg	
4,525,185 A	6/1985	Newton	
4,541,852 A	9/1985	Newton et al.	
4,545,795 A	10/1985	Liu et al.	
4,755,200 A *	7/1988	Liu	B01D 53/265 62/612

(Continued)

(73) Assignee: **Air Products and Chemicals, Inc.**,
Allentown, PA (US)

FOREIGN PATENT DOCUMENTS

(*) Notice: Subject to any disclaimer, the term of this patent is extended or adjusted under 35 U.S.C. 154(b) by 40 days.

CN	105043011	11/2015
EP	1092932	4/2001

(Continued)

(21) Appl. No.: **15/718,132**

(22) Filed: **Sep. 28, 2017**

OTHER PUBLICATIONS

R. D. Denton, et al, "ExxonMobil Enhanced Mixed Refrigerant (EMR) Process for Next Generation LNG Projects", 90th Annual Convention of the Gas Processors Association 2011.

(Continued)

(65) **Prior Publication Data**

US 2019/0093947 A1 Mar. 28, 2019

Primary Examiner — Brian M King

(51) **Int. Cl.**
F25J 1/02 (2006.01)
F25J 1/00 (2006.01)

(74) *Attorney, Agent, or Firm* — Amy Carr-Trexler

(52) **U.S. Cl.**
CPC **F25J 1/0022** (2013.01); **F25J 1/0052** (2013.01); **F25J 1/0055** (2013.01); **F25J 1/0219** (2013.01); **F25J 1/0267** (2013.01); **F25J 1/0291** (2013.01); **F25J 1/0292** (2013.01); **F25J 1/0294** (2013.01); **F25J 2220/62** (2013.01); **F25J 2270/902** (2013.01)

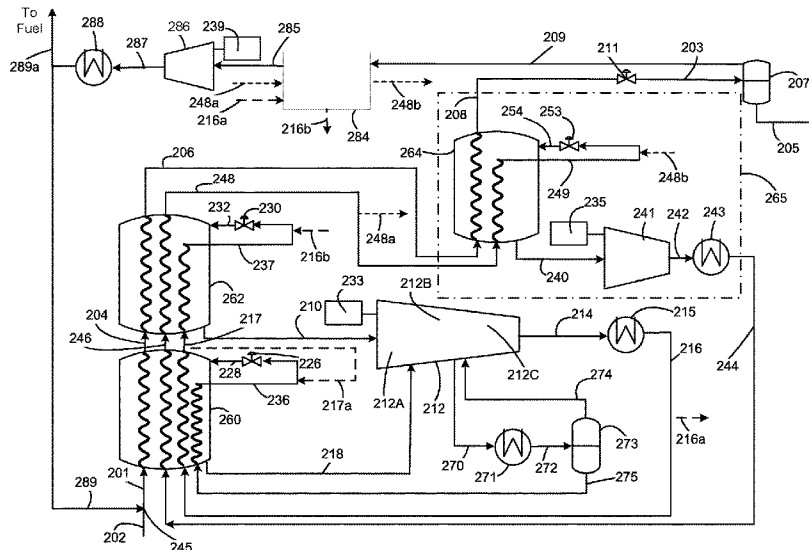
(57) **ABSTRACT**

Systems and methods described for increasing capacity and efficiency of natural gas liquefaction processes having a mixed refrigerant precooling system with multiple pressure levels comprising cooling the compressed mixed refrigerant stream and separating the cooled compressed mixed refrigerant stream into a vapor and liquid portion. The liquid portion provides refrigeration duty to a first precooling heat exchanger. The vapor portion is further compressed, cooled, and condensed, and used to provide refrigeration duty to a second precooling heat exchanger. A flash gas separated from the liquefied natural gas is warmed and combined with the natural gas feed stream.

(58) **Field of Classification Search**
CPC F25J 1/0022; F25J 1/0214; F25J 1/0217; F25J 1/0218; F25J 1/0219; F25J 1/0225; F25J 1/0227; F25J 1/0292; F25J 2205/02; F25J 2210/60; F25J 2270/66

See application file for complete search history.

19 Claims, 6 Drawing Sheets



(56)

References Cited

U.S. PATENT DOCUMENTS

6,105,389 A 8/2000 Paradowski et al.
 6,119,479 A * 9/2000 Roberts F25J 1/0022
 62/612
 6,253,574 B1 7/2001 Stockmann et al.
 6,269,655 B1 8/2001 Roberts et al.
 6,347,531 B1 2/2002 Roberts et al.
 6,347,532 B1 * 2/2002 Agrawal F25J 1/0214
 62/612
 6,427,483 B1 * 8/2002 Rashad F25B 9/006
 62/613
 8,534,094 B2 9/2013 Teo
 2006/0162378 A1 * 7/2006 Roberts C09K 5/042
 62/612
 2010/0223951 A1 * 9/2010 Jager F25J 1/0042
 62/613
 2010/0293997 A1 * 11/2010 Chantant F25B 1/10
 62/614
 2016/0061516 A1 3/2016 Seitter et al.

FOREIGN PATENT DOCUMENTS

FR 2967484 5/2012

RU 2253809 6/2005
 RU 2538156 1/2015
 WO 20090124925 10/2009
 WO 2009153427 12/2009

OTHER PUBLICATIONS

P-Y. Martin, et al, Liquefin: An Innovative Process to Reduce LNG Costs.
 J. Seitter, et al, "PRICO-DMR: An Innovative Approach to Highly Efficient, Scalable, and Cost-Competitive LNG", LNG 18, Perth, Australia, Apr. 11-15, 2016.
 "PRICO-DMR Technology", Efficiency with Dual Mixed Refrigerant, Black & Veatch.
 H. Paradowski, et al, "Liquefaction of Associated Gases", LNG 7, Jakarta, May 15-18, 1983.
 G. Krishnamurthy, et al, "The Road to Recovery", LNG Industry, Jan. 2015.
 Pierre Rabeau, et al, "How to Reduce CO2 Emissions in the LNG Chain", International Conference and Exhibition on Liquefied Natural Gas, Apr. 24, 2007, 1-19.

* cited by examiner

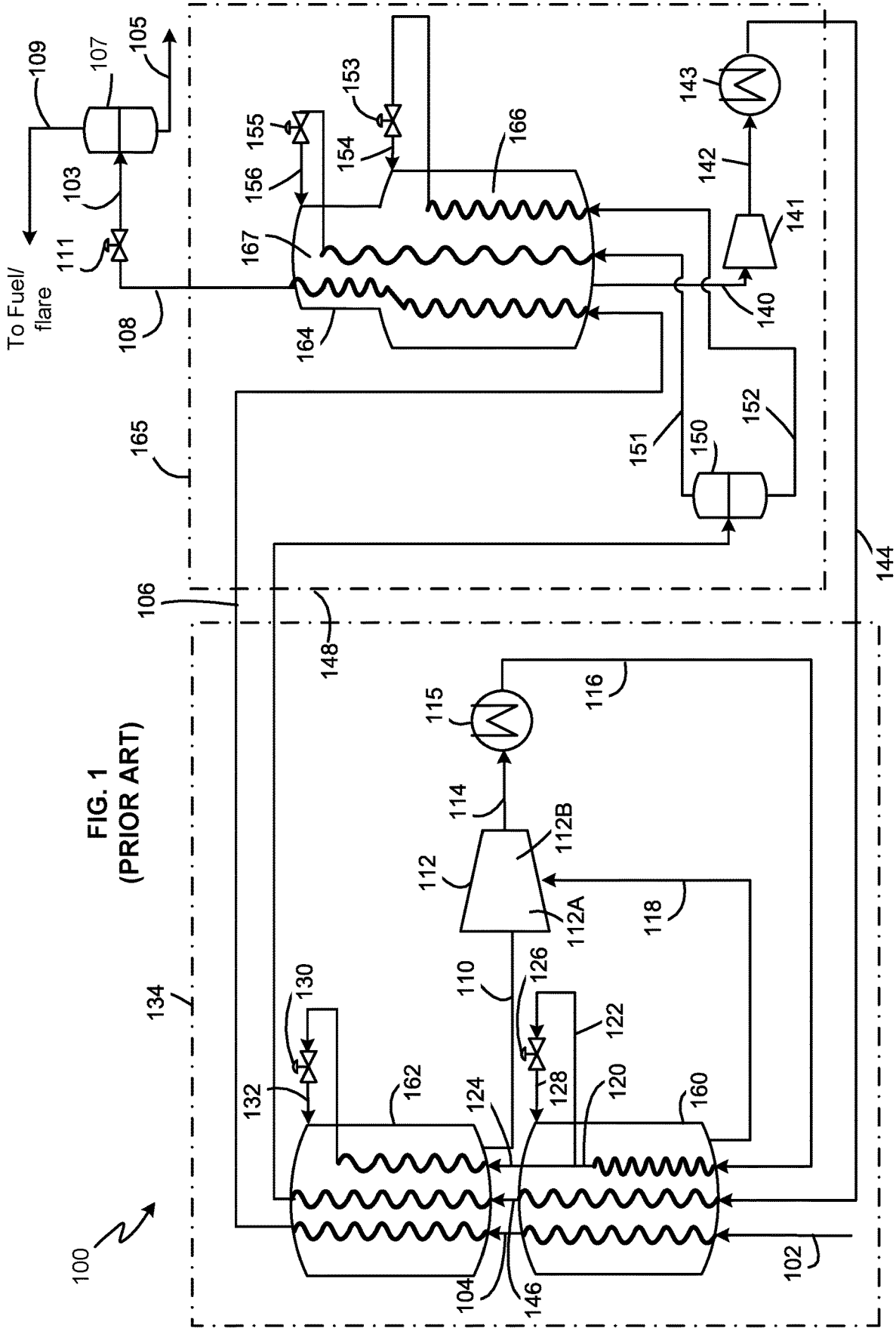


FIG. 1
(PRIOR ART)

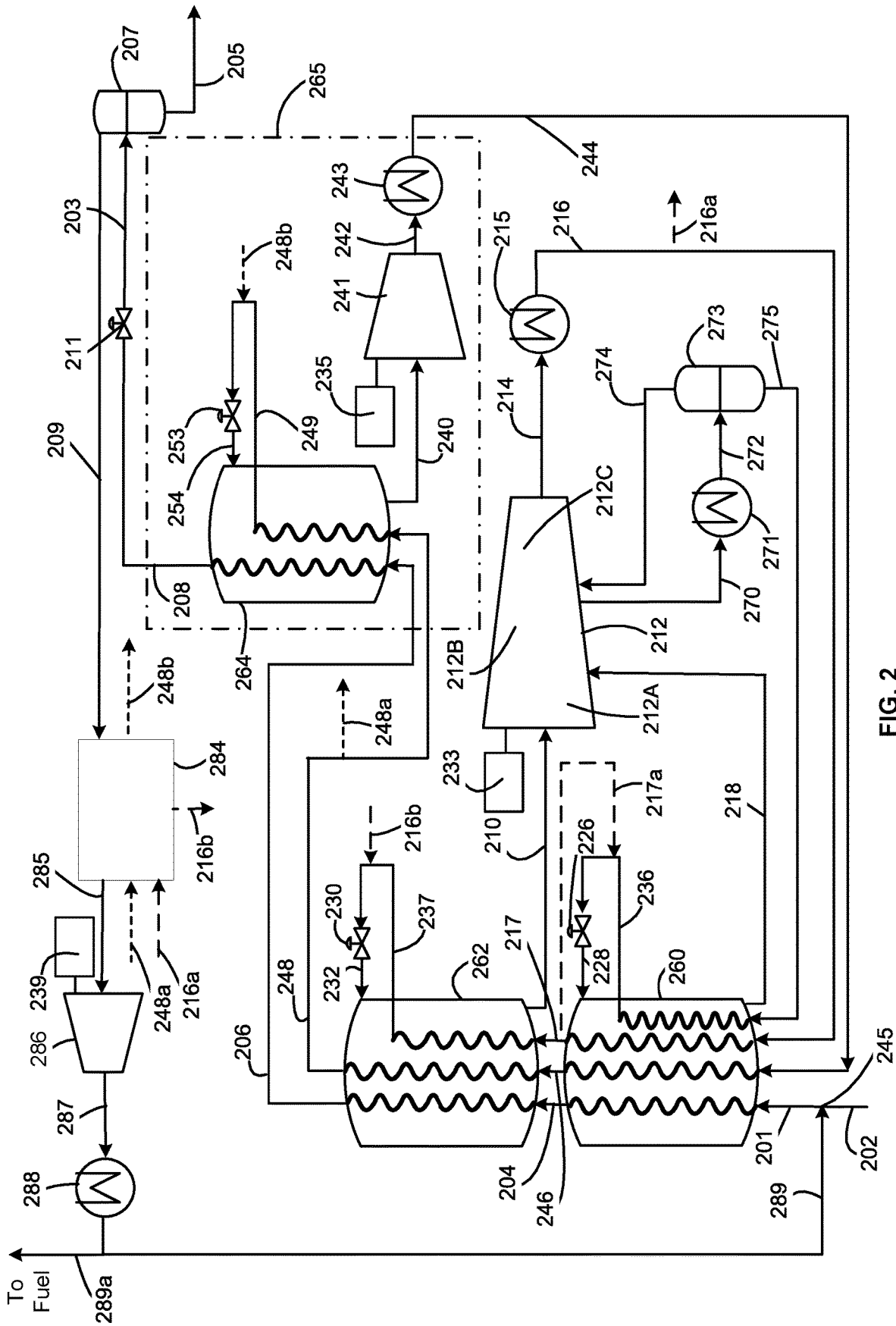


FIG. 2

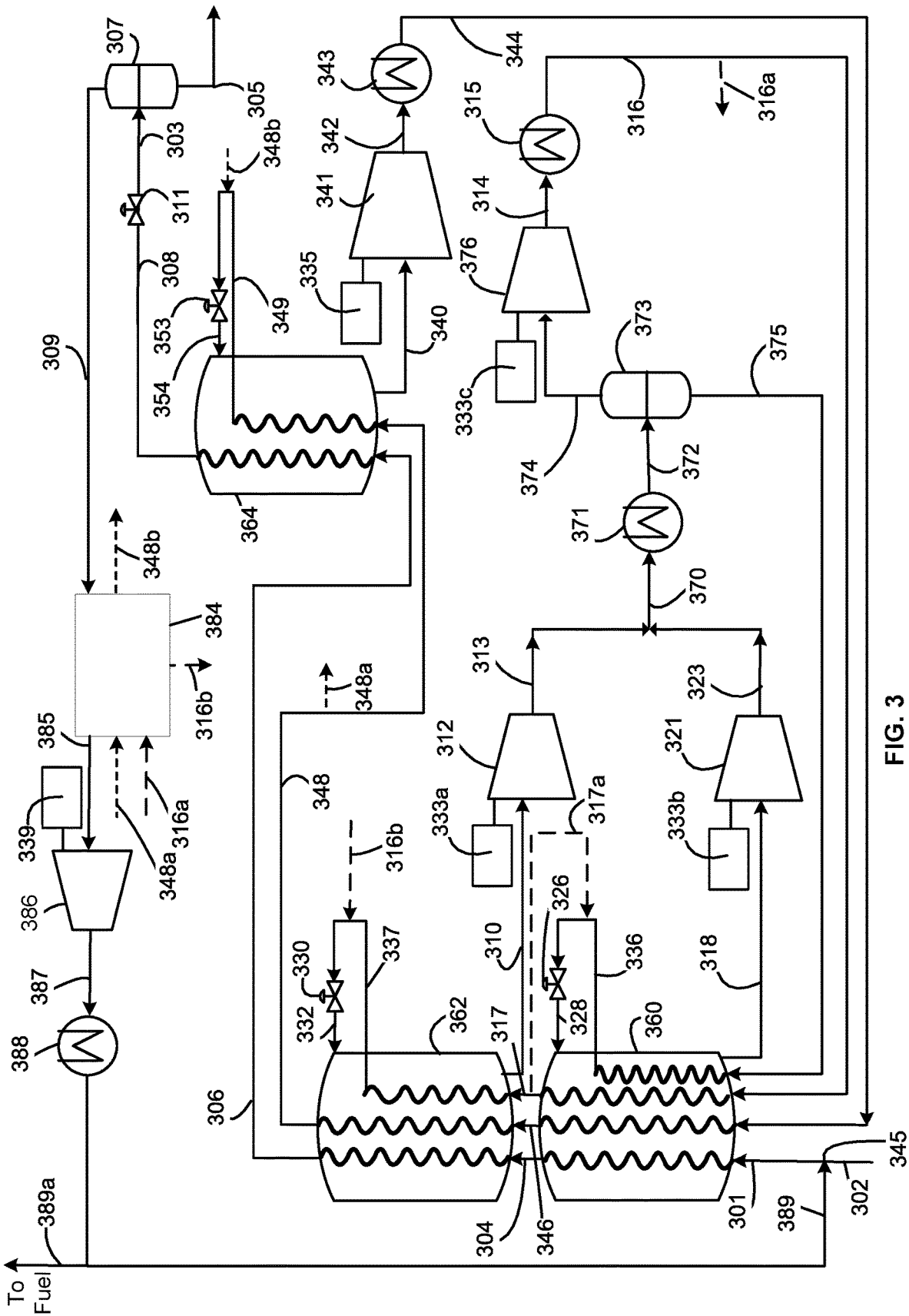
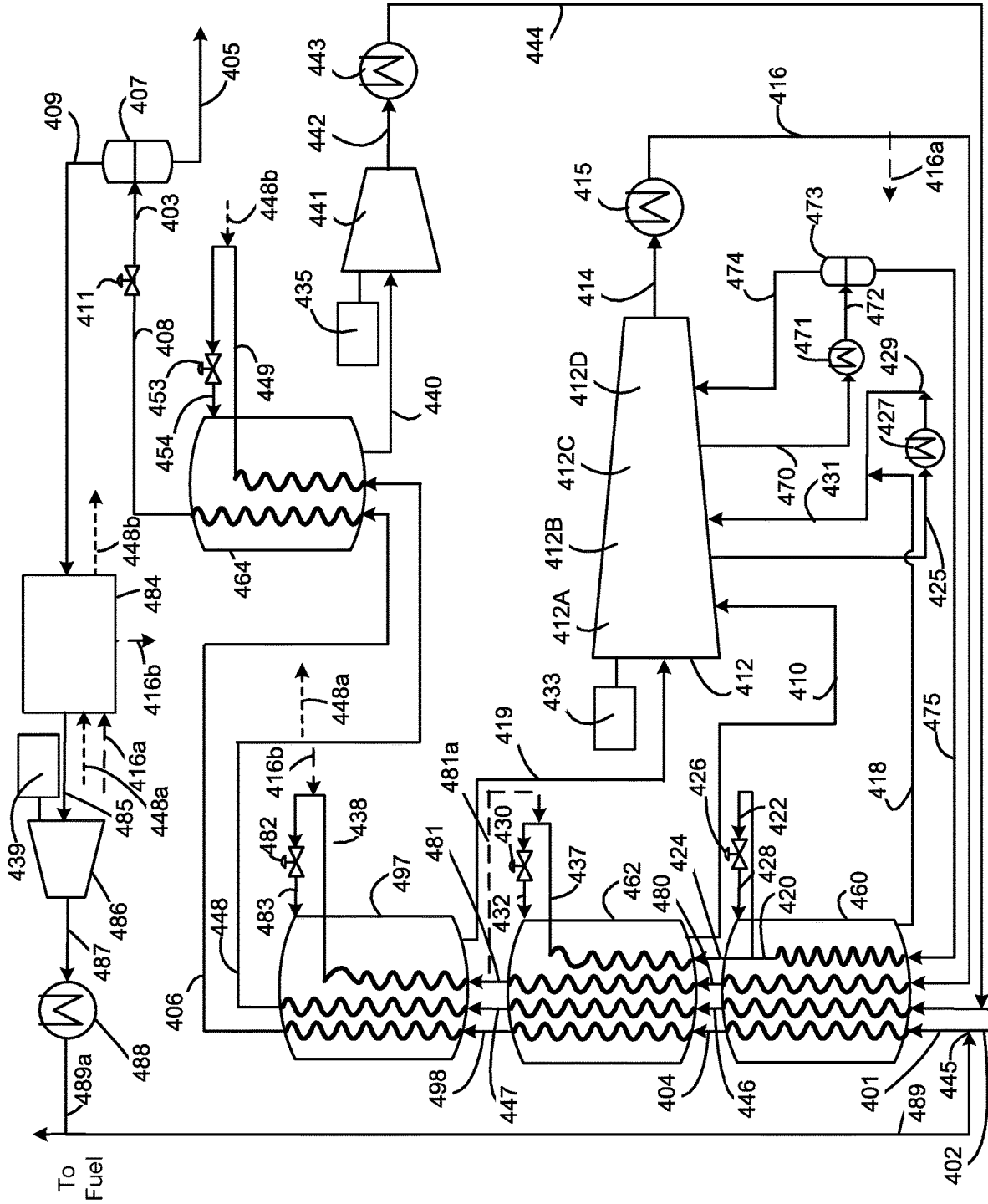


FIG. 3

FIG. 4



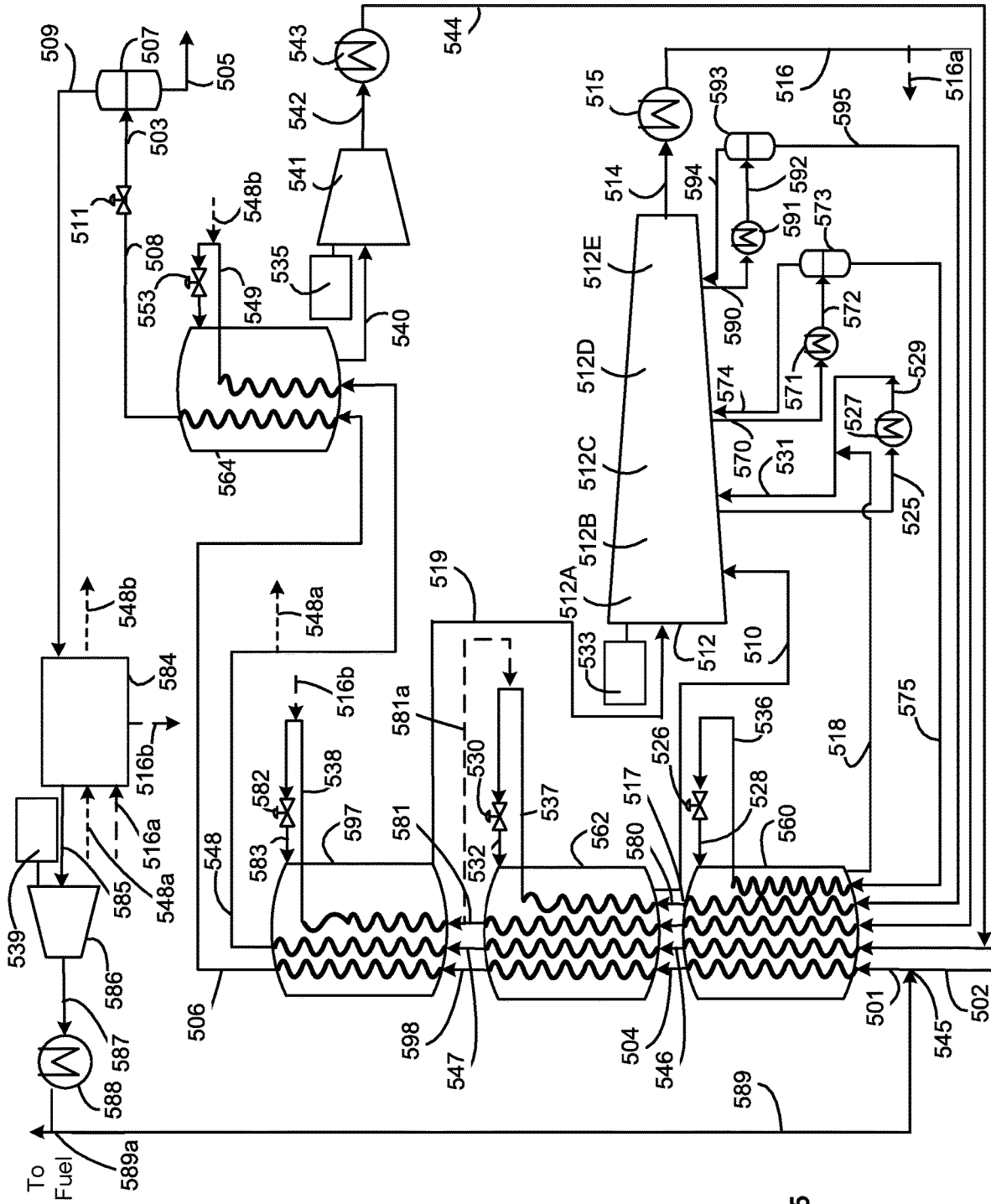


FIG. 5

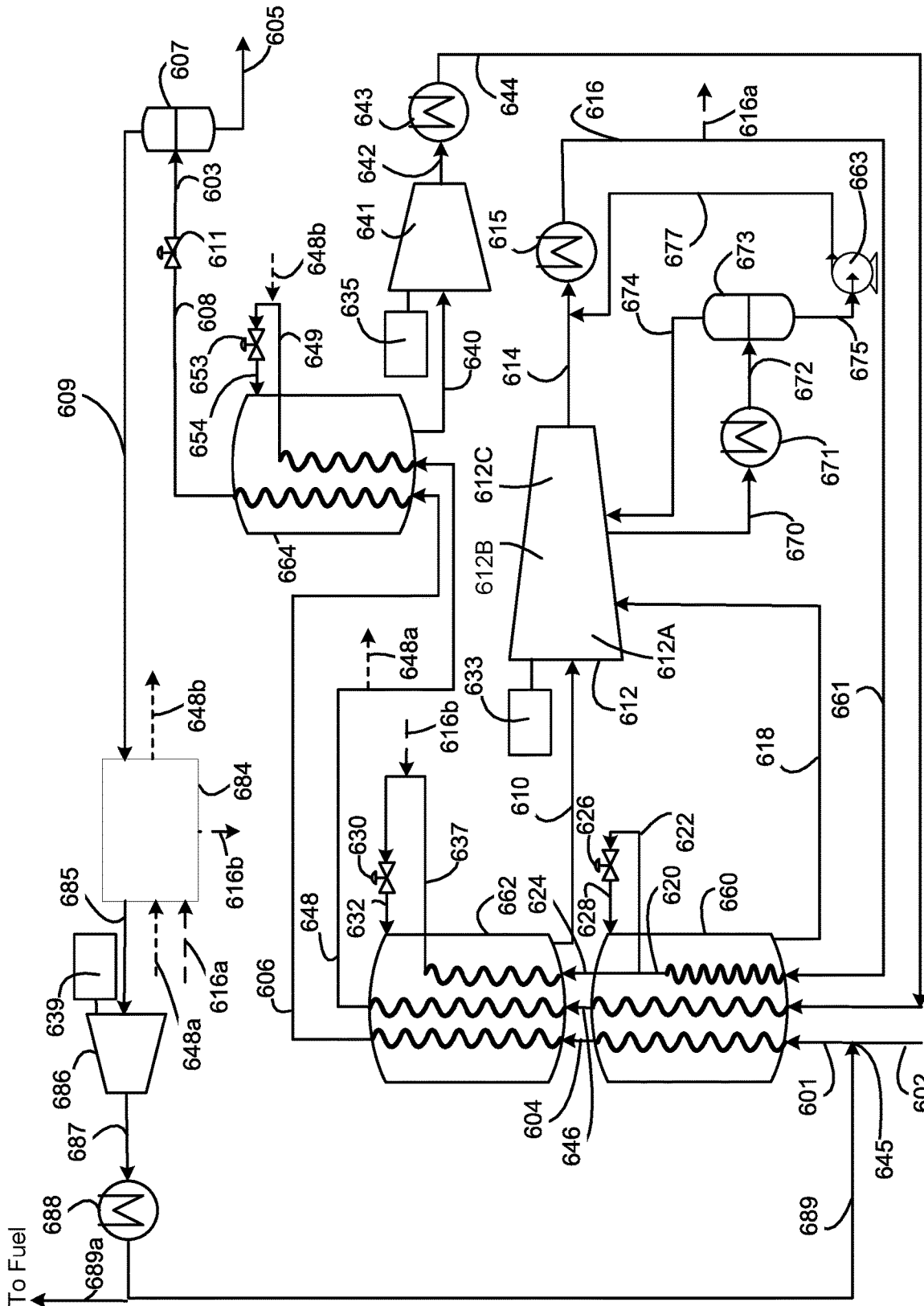


FIG. 6

MULTIPLE PRESSURE MIXED REFRIGERANT COOLING SYSTEM

BACKGROUND

A number of liquefaction systems for cooling, liquefying, and optionally sub-cooling natural gas are well known in the art, such as the single mixed refrigerant (SMR) cycle, the propane-precooled mixed refrigerant (C3MR) cycle, the dual mixed refrigerant (DMR) cycle, C3MR-Nitrogen hybrid (such as AP-X™) cycles, the nitrogen or methane expander cycle, and cascade cycles. Typically, in such systems, natural gas is cooled, liquefied, and optionally sub-cooled by indirect heat exchange with one or more refrigerants. A variety of refrigerants might be employed, such as mixed refrigerants, pure components, two-phase refrigerants, gas phase refrigerants, etc. Mixed refrigerants (MR), which are a mixture of nitrogen, methane, ethane/ethylene, propane, butanes, and pentanes, have been used in many base-load liquefied natural gas (LNG) plants. The composition of the MR stream is typically optimized based on the feed gas composition and operating conditions.

The refrigerant is circulated in a refrigerant circuit that includes one or more heat exchangers and a refrigerant compression system. The refrigerant circuit may be closed-loop or open-loop. Natural gas is cooled, liquefied, and/or sub-cooled by indirect heat exchange in one or more refrigerant circuits by indirect heat exchange with the refrigerants in the heat exchangers.

The refrigerant compression system includes a compression sequence for compressing and cooling the circulating refrigerant, and a driver assembly to provide the power needed to drive the compressors. For precooled liquefaction systems, the quantity and type of drivers in the driver assembly and the compression sequence have an impact on the ratio of the power required for the precooling system and the liquefaction system. The refrigerant compression system is a critical component of the liquefaction system because the refrigerant needs to be compressed to high pressure and cooled prior to expansion in order to produce a cold, low pressure refrigerant stream that provides the heat duty necessary to cool, liquefy, and optionally sub-cool the natural gas.

DMR processes involve two mixed refrigerant streams, the first for precooling the feed natural gas and the second for liquefying the precooled natural gas. The two mixed refrigerant streams pass through two refrigerant circuits, a precooling refrigerant circuit within a precooling system, and a liquefaction refrigerant circuit within a liquefaction system. In each refrigerant circuit, the refrigerant stream is vaporized while providing the cooling duty required to cool and liquefy the natural gas feed stream. When a refrigerant stream is vaporized at a single pressure level, the system and process is referred to as “single pressure”. When a refrigerant stream is vaporized at two or more pressure levels, the system and process is referred to as “multiple pressure”. Referring to FIG. 1, a DMR process of the prior art is shown in cooling and liquefaction system 100. The DMR process described herein involves a single pressure liquefaction system and a multiple pressure precooling system with two pressure levels. However, any number of pressure levels may be present. A feed stream, which is preferably natural gas, is cleaned and dried by known methods in a pre-treatment section (not shown) to remove water, acid gases such as CO₂ and H₂S, and other contaminants such as mercury, resulting in a pretreated feed stream 102. The pretreated feed stream 102, which is essentially water free,

is precooled in a precooling system 134 to produce a second precooled natural gas stream 106 and further cooled, liquefied, and/or sub-cooled in a main cryogenic heat exchanger (MCHE) 164 to produce a first LNG stream 108. The first LNG stream 108 is typically let down in pressure by passing it through an LNG pressure letdown device 111 to produce a reduced pressure LNG stream 103, which is then sent to a flash drum 107 to produce a flash gas stream 109 and a second LNG stream 105. The second LNG stream 105 may be let down to storage pressure and sent to an LNG storage tank (not shown). The flash gas stream 109 and any boil-off gas (BOG) produced in the storage tank may be used as fuel in the plant and/or sent to flare.

The pretreated feed stream 102 is cooled in a first precooling heat exchanger 160 to produce a first precooled natural gas stream 104. The first precooled natural gas stream 104 is cooled in a second precooling heat exchanger 162 to produce the second precooled natural gas stream 106. The second precooled natural gas stream 106 is liquefied and subsequently sub-cooled to produce the first LNG stream 108 at a temperature between about -170 degrees Celsius and about -120 degrees Celsius, preferably between about -170 degrees Celsius and about -140 degrees Celsius. MCHE 164 shown in FIG. 1 is a coil wound heat exchanger with two tube bundles, a warm bundle 166 and a cold bundle 167. However, any number of bundles and any exchanger type may be utilized. Although FIG. 1 shows two precooling heat exchangers and two pressure levels in the precooling circuit, any number of precooling heat exchangers and pressure levels may be utilized. The precooling heat exchangers are shown to be coil wound heat exchangers in FIG. 1. However, they may be plate and fin heat exchangers, shell and tube heat exchangers, or any other heat exchangers suitable for precooling natural gas.

The term “essentially water free” means that any residual water in the pretreated feed stream 102 is present at a sufficiently low concentration to prevent operational issues associated with water freeze-out in the downstream cooling and liquefaction process. In the embodiments described herein, water concentration is preferably not more than 1.0 ppm and, more preferably between 0.1 ppm and 0.5 ppm.

The precooling refrigerant used in the DMR process is a mixed refrigerant (MR) referred to herein as warm mixed refrigerant (WMR) or “first refrigerant”, comprising components such as nitrogen, methane, ethane/ethylene, propane, butanes, and other hydrocarbon components. As illustrated in FIG. 1, a low pressure WMR stream 110 is withdrawn from the warm end of the shell side of the second precooling heat exchanger 162 and compressed in a first compression stage 112A of a WMR compressor 112. A medium pressure WMR stream 118 is withdrawn from the warm end of the shell side of the first precooling heat exchanger 160 and introduced as a side-stream into the WMR compressor 112, where it mixes with the compressed stream (not shown) from the first compression stage 112A. The mixed stream (not shown) is compressed in a second WMR compression stage 112B of the WMR compressor 112 to produce a compressed WMR stream 114. Any liquid present in the low pressure WMR stream 110 and the medium pressure WMR stream 118 is removed in vapor-liquid separation devices (not shown).

The compressed WMR stream 114 is cooled and preferably condensed in WMR aftercooler 115 to produce a first cooled compressed WMR stream 116, which is introduced into the first precooling heat exchanger 160 to be further cooled in a tube circuit to produce a second cooled compressed WMR stream 120. The second cooled compressed

WMR stream **120** is split into two portions: a first portion **122** and a second portion **124**. The first portion of the second cooled compressed WMR stream **122** is expanded in a first WMR expansion device **126** to produce a first expanded WMR stream **128**, which is introduced into the shell side of the first precooling heat exchanger **160** to provide refrigeration duty. The second portion of the second cooled compressed WMR stream **124** is introduced into the second precooling heat exchanger **162** to be further cooled, after which it is expanded in a second WMR expansion device **130** to produce a second expanded WMR stream **132**, which is introduced into the shell side of the second precooling heat exchanger **162** to provide refrigeration duty. The process of compressing and cooling the WMR after it is withdrawn from the precooling heat exchangers is generally referred to herein as the WMR compression sequence.

Although FIG. **1** shows that compression stages **112A** and **112B** are performed within a single compressor body, they may be performed in two or more separate compressors. Further, intermediate cooling heat exchangers may be provided between the stages. The WMR compressor **112** may be any type of compressor such as centrifugal, axial, positive displacement, or any other compressor type.

In the DMR process, liquefaction and sub-cooling is performed by heat exchanging precooled natural gas against a second mixed refrigerant stream, referred to herein as cold mixed refrigerant (CMR) or "second refrigerant".

A warm low pressure CMR stream **140** is withdrawn from the warm end of the shell side of the MCHE **164**, sent through a suction drum (not shown) to separate out any liquids and the vapor stream is compressed in CMR compressor **141** to produce a compressed CMR stream **142**. The warm low pressure CMR stream **140** is typically withdrawn at a temperature at or near WMR precooling temperature and preferably less than about -30 degree Celsius and at a pressure of less than 10 bara (145 psia). The compressed CMR stream **142** is cooled in a CMR aftercooler **143** to produce a compressed cooled CMR stream **144**. Additional phase separators, compressors, and aftercoolers may be present. The process of compressing and cooling the CMR after it is withdrawn from the warm end of the MCHE **164** is generally referred to herein as the CMR compression sequence.

The compressed cooled CMR stream **144** is then cooled against evaporating WMR in precooling system **134**. The compressed cooled CMR stream **144** is cooled in the first precooling heat exchanger **160** to produce a first precooled CMR stream **146** and then cooled in the second precooling heat exchanger **162** to produce a second precooled CMR stream **148**, which may be fully condensed or two-phase depending on the precooling temperature and composition of the CMR stream. The CMR stream **148** is then liquefied and optionally subcooled in the liquefaction system **165**. FIG. **1** shows an arrangement wherein the second precooled CMR stream **148** is two-phase and is sent to a CMR phase separator **150** to produce a CMR liquid (CMRL) stream **152** and a CMR vapor (CMRV) stream **151**, which are both sent back to the MCHE **164** to be further cooled. Liquid streams leaving phase separators are referred to in the industry as MRL and vapor streams leaving phase separators are referred to in the industry as MRV, even after they are subsequently liquefied.

Both the CMRL stream **152** and CMRV stream **151** are cooled in two separate circuits of the MCHE **164**. The CMRL stream **152** is cooled and partially liquefied in a warm bundle **166** of the MCHE **164**, resulting in a cold stream that is let down in pressure across CMRL expansion

device **153** to produce an expanded CMRL stream **154**, that is sent back to the shell side of MCHE **164** to provide refrigeration required in the warm bundle **166**. The CMRV stream **151** is cooled in the warm bundle **166** and subsequently in a cold bundle **167** of MCHE **164**, then reduced in pressure across a CMRV expansion device **155** to produce an expanded CMRV stream **156** that is introduced to the MCHE **164** to provide refrigeration required in the cold bundle **167** and warm bundle **166**.

MCHE **164** and precooling heat exchanger **160** can be any exchanger suitable for natural gas cooling and liquefaction such as a coil wound heat exchanger, plate and fin heat exchanger, or a shell and tube heat exchanger. Coil wound heat exchangers are the state of the art exchangers for natural gas liquefaction and include at least one tube bundle comprising a plurality of spiral wound tubes for the flowing process and warm refrigerant streams and a shell space for flowing a cold refrigerant stream.

In the arrangement shown in FIG. **1**, the cold end of the first precooling heat exchanger **160** is at a temperature below 20 degrees Celsius, preferably below about 10 degrees Celsius, and more preferably below about 0 degrees Celsius. The cold end of the second precooling heat exchanger **162** is at a temperature below 10 degrees Celsius, preferably below about 0 degrees Celsius, and more preferably below about -30 degrees Celsius. Therefore, the second precooling heat exchanger is at a lower temperature than the first precooling heat exchanger.

A key benefit of a mixed refrigerant cycle is that the composition of the mixed refrigerant stream can be optimized to adjust cooling curves in the heat exchanger and the outlet temperature, to increase the process efficiency. This may be achieved by adjusting the composition of the refrigerant stream for the various stages of the cooling process. For instance, a mixed refrigerant with a high concentration of ethane and heavier components is well suited as a precooling refrigerant while one with a high concentration of methane and nitrogen is well suited as a subcooling refrigerant.

In the arrangement shown in FIG. **1**, the composition of the first expanded WMR stream **128** providing refrigeration duty to the first precooling heat exchanger is the same as the composition of the second expanded WMR stream **132** providing refrigeration duty to the second precooling heat exchanger **162**. Since the first and second precooling heat exchangers cool to different temperatures, using the same refrigerant composition for both exchangers is inefficient. Further, the inefficiency increases with three or more precooling heat exchangers.

The reduced efficiency leads to an increased power required to produce the same amount of LNG. The reduced efficiency further results in a warmer overall precooling temperature at a fixed amount of available precooling driver power. This shifts the refrigeration load from the precooling system to the liquefaction system, rendering the MCHE larger and increasing the liquefaction power load, which may be undesirable from a capital cost and operability standpoint.

One approach to solving this problem is to have two separate closed loop refrigerant circuits for each stage of precooling. This would require separate mixed refrigerant circuits for the first precooling heat exchanger **160** and the second precooling heat exchanger **162**. This would allow the compositions of the two refrigerant streams to be optimized independently and therefore improve efficiency. However, this approach would require separate compression systems

for each precooling heat exchanger, which would lead to increased capital cost, footprint, and operational complexity, which is undesirable.

Another problem with the arrangement shown in FIG. 1 is that the power required by the precooling and liquefaction systems may not be equal, requiring a different number of drivers to provide the power. Often the liquefaction system has a higher power requirement than the precooling system due to typical precooling temperatures achievable. In some cases, it may be preferable to achieve a 50-50 power split between precooling and liquefaction system drivers.

Therefore, there is a need for an improved system for liquefying natural gas that provides more balance between the power requirements of the precooling and liquefaction systems and improving the efficiency of both systems, while avoiding an increase in capital cost, footprint or operational complexity.

SUMMARY

This Summary is provided to introduce a selection of concepts in a simplified form that are further described below in the Detailed Description. This Summary is not intended to identify key features or essential features of the claimed subject matter, nor is it intended to be used to limit the scope of the claimed subject matter.

Some embodiments, as described below and defined by the claims which follow, comprise improvements to the precooling portion of an LNG liquefaction process. Some embodiments satisfy the need in the art by using multiple precooling heat exchange sections in the precooling portion and introducing a stream of the refrigerant used to provide refrigeration duty to the precooling heat exchange sections into a compression system at different pressures. Some embodiments satisfy the need in the art by directing a liquid fraction of a stream of the refrigerant that is intercooled and separated between compression stages of the compression system.

Several aspects of the systems and methods are outlined below.

Aspect 1: An apparatus for liquefying a hydrocarbon feed stream comprising:

a compression subsystem comprising at least one compression stage;

a precooling subsystem comprising:

a plurality of heat exchange sections, the plurality of heat exchange sections comprising a warmest heat exchange section (260,360,460,560) and a coldest heat exchange section (262,362,464,564);

a first hydrocarbon circuit (202,302,402,502) that extends through each of the plurality of heat exchange sections, the first hydrocarbon circuit (202,302,402,502) being downstream from and in fluid flow communication with a supply of a hydrocarbon fluid;

a main heat exchanger (264) having a second hydrocarbon circuit (106) that is downstream from and in fluid flow communication with the first hydrocarbon circuit (202,302,402,502) for receiving a precooled hydrocarbon stream from the first hydrocarbon circuit, the main heat exchanger (164) being operationally configured to at least partially liquefy the precooled hydrocarbon stream by indirect heat exchange against a second refrigerant to product a first liquefied hydrocarbon stream;

a second refrigerant circuit (244,344,444,544) that extends through each of the plurality of heat exchange sections and the main heat exchanger (264), the second refrigerant circuit (244,344,444,544) containing the second

refrigerant, the second refrigerant circuit (244,344,444,544) being operationally configured to provide refrigeration to the main heat exchanger (264);

a first precooling refrigerant circuit (275,375,475,575) that extends through the warmest heat exchange section (260,360,460,560) and the compression subsystem, the first precooling refrigerant circuit (275,375,475,575) containing a first refrigerant;

a second precooling refrigerant circuit (216,316,416,516) that extends through the warmest heat exchange section (260,360,460,560), the coldest heat exchange section (262,362,464,564) and the compression subsystem, the second precooling refrigerant circuit (216,316,416,516) containing the first refrigerant;

a vapor-liquid separation device (207) downstream from and in fluid flow communication with the main heat exchanger (264) for receiving a first liquefied hydrocarbon stream from the main heat exchanger and that is operationally configured to separate the first liquefied hydrocarbon stream into a flash gas stream and a second liquefied hydrocarbon stream; and

a recycle gas circuit downstream from and in fluid flow communication with the vapor-liquid separation device (207), the recycle stream having a recycle stream mixing point (245) that is in fluid flow communication with the first hydrocarbon circuit (202) upstream from the warmest heat exchange section (260);

wherein compression subsystem and precooling subsystem are operationally configured to supply the first refrigerant to the warmest heat exchange section (260,360,460,560) through the first precooling refrigerant circuit (275,375,475,575) at a first precooling refrigerant inlet pressure and with a first precooling refrigerant composition, and to remove a first vaporized first refrigerant from the warmest heat exchange section (260,360,460,560) at a first precooling refrigerant outlet pressure; and

wherein compression subsystem and precooling subsystem are operationally configured to supply the first refrigerant to the warmest heat exchange section (260,360,460,560) through the second precooling refrigerant circuit (216,316,416,516) at a second precooling refrigerant inlet pressure and with a second precooling refrigerant composition, and to remove a second vaporized first refrigerant from the coldest heat exchange section (262,362,464,564) at a second precooling refrigerant outlet pressure, the second precooling refrigerant inlet pressure being higher than the first precooling refrigerant inlet pressure, the second precooling refrigerant outlet pressure being lower than the first precooling refrigerant outlet pressure, and the second precooling refrigerant composition being different from the first precooling refrigerant composition.

Aspect 2: The apparatus of Aspect 1, wherein the main heat exchanger is a coil-wound heat exchanger.

Aspect 3: The apparatus of any of Aspects 1-2, wherein the main heat exchanger has no more than one coil bundle.

Aspect 4: The apparatus of any of Aspects 1-3, wherein the compression subsystem and precooling subsystem are operationally configured to remove the second vaporized first refrigerant from the coldest heat exchange section at a second precooling refrigerant outlet pressure that is at least 5 bara higher than the first precooling refrigerant outlet pressure.

Aspect 5: The apparatus of any of Aspects 1-4, wherein the first precooling refrigerant composition has less than 60 mole % ethane and lighter hydrocarbons and the second precooling refrigerant composition has more than 60 mole % ethane and lighter hydrocarbons.

Aspect 6: The apparatus of any of Aspects 1-5, wherein the recycle gas circuit further comprises a flash heat exchanger located downstream from and in fluid flow communication with the vapor-liquid separation device.

Aspect 7: An apparatus for liquefying a hydrocarbon feed stream comprising:

a plurality of heat exchange sections, the plurality of heat exchange sections comprising a warmest heat exchange section and a coldest heat exchange section;

a first hydrocarbon circuit that extends through each of the plurality of heat exchange sections, the first hydrocarbon circuit being downstream from and in fluid flow communication with a supply of a hydrocarbon fluid;

a second refrigerant circuit that extends through each of the plurality of heat exchange sections, the second refrigerant circuit containing a second refrigerant;

a first precooling refrigerant circuit that extends through the warmest heat exchange section, the first precooling refrigerant circuit containing a first refrigerant;

a second precooling refrigerant circuit that extends through the warmest heat exchange section and the coldest heat exchange section, the second precooling refrigerant circuit containing the first refrigerant;

a first precooling refrigerant circuit inlet located at an upstream end of the first precooling refrigerant circuit, a first pressure letdown device located at a downstream end of the first precooling refrigerant circuit, and a first expanded refrigerant conduit downstream from and in fluid flow communication with the first pressure letdown device and upstream from and in fluid flow communication with a first cold circuit of the warmest heat exchange section;

a second precooling refrigerant circuit inlet located at an upstream end of the second precooling refrigerant circuit, a second pressure letdown device located at a downstream end of the second precooling refrigerant circuit, and a second expanded refrigerant conduit downstream from and in fluid flow communication with the second pressure letdown device and upstream from and in fluid flow communication with a second cold circuit of the coldest heat exchange section;

a compression system comprising:

a low pressure first refrigerant conduit in fluid flow communication with a first compression stage and a warm end of the coldest heat exchange section;

a medium pressure first refrigerant conduit in fluid flow communication with a second compression stage and a warm end of a first heat exchange section;

a first aftercooler downstream from the second compression stage;

a first vapor-liquid separation device having a first inlet in fluid flow communication with, and downstream from, the first aftercooler, a first vapor outlet located in an upper half of the first vapor-liquid separation device, a first liquid outlet located in a lower half of the first vapor-liquid separation device, the first liquid outlet being upstream from and in fluid flow communication with the first precooling refrigerant circuit inlet;

a third compression stage downstream from the first vapor outlet; and

a second aftercooler downstream from the third compression stage;

a main heat exchanger having a second hydrocarbon circuit that is downstream from and in fluid flow communication with the first hydrocarbon circuit for receiving a pre-cooled hydrocarbon stream from the first hydrocarbon circuit, the main heat exchanger being also downstream from and in fluid flow communication with the second

refrigerant circuit of the plurality of heat exchange sections, the main heat exchanger being operationally configured to at least partially liquefy the pre-cooled hydrocarbon stream by indirect heat exchange against the second refrigerant to produce a first liquefied hydrocarbon stream;

a third vapor-liquid separation device downstream from and in fluid flow communication with the main heat exchanger that is operationally configured to separate the first liquefied hydrocarbon stream into a flash gas stream and a second liquefied hydrocarbon stream;

a recycle gas circuit downstream from and in fluid flow communication with the third vapor-liquid separation device, the recycle gas circuit extending through a flash heat exchanger and having a recycle stream outlet in fluid flow communication with the first hydrocarbon circuit upstream from the warmest heat exchange section; and

wherein the flash gas heat exchanger is operationally configured to warm the flash gas stream against at least one warming stream;

wherein the warmest heat exchange section is operationally configured to partially pre-cool the hydrocarbon fluid flowing through the first hydrocarbon circuit, the second refrigerant flowing through the second refrigerant circuit, the first refrigerant flowing through the first precooling first refrigerant circuit, and the second precooling refrigerant circuit against the first refrigerant flowing through the first cold circuit of the warmest heat exchange section; and

wherein the coldest heat exchange section is operationally configured to pre-cool the hydrocarbon fluid flowing through the first hydrocarbon circuit to produce a pre-cooled hydrocarbon stream, to pre-cool the second refrigerant flowing through the second refrigerant circuit to produce a pre-cooled second refrigerant stream, and to pre-cool the first refrigerant flowing through the second precooling refrigerant circuit against the first refrigerant flowing through the first cold circuit of the coldest heat exchange section.

Aspect 8: The apparatus of Aspect 7, wherein the first heat exchange section is the warmest heat exchange section of the plurality of heat exchange sections.

Aspect 9: The apparatus of any of Aspects 7-8, wherein the first compression stage, the second compression stage, and the third compression stage are located with a single casing of a first compressor.

Aspect 10: The apparatus of any of Aspects 7-9, the compression system further comprising a first intercooler downstream from the second compression stage and a cooled first intermediate refrigerant conduit downstream from and in fluid flow communication with the first intercooler.

Aspect 11: The apparatus of Aspect 10, further comprising a high pressure first refrigerant conduit in fluid flow communication with a warm end of the warmest heat exchange section and the cooled first intermediate refrigerant conduit.

Aspect 12: The apparatus of Aspect 10, further comprising:

a third aftercooler downstream from the first vapor-liquid separation device; and

a second vapor-liquid separation device having a third inlet in fluid flow communication with and downstream from the third aftercooler, a second vapor outlet located in an upper half of the second vapor-liquid separation device, a second liquid outlet located in a lower half of the second vapor-liquid separation device.

Aspect 13: The apparatus of any of Aspects 7-12, wherein the plurality of heat exchange sections are multiple sections of a first heat exchanger.

Aspect 14: The apparatus of any of Aspects 7-13, wherein the plurality of heat exchange sections each comprises a coil wound heat exchanger.

Aspect 15: The apparatus of any of Aspects 7-14, wherein the main heat exchanger is a coil wound heat exchanger.

Aspect 16: The apparatus of any of Aspects 7-15, wherein the second precooling refrigerant circuit extends through the warmest heat exchange section, the first heat exchange section, and the coldest heat exchange section.

Aspect 17: The apparatus of any of Aspects 7-16, wherein the first refrigerant contained in the second precooling refrigerant circuit has a higher concentration of ethane and lighter hydrocarbons than the first refrigerant contained in the first precooling refrigerant circuit.

Aspect 18: The apparatus of any of Aspects 7-17, wherein the first cold circuit of the warmest heat section is a shell-side of the warmest heat exchange section and the first cold circuit of the coldest heat exchange section is a shell-side of the coldest heat exchange section.

Aspect 19: The apparatus of any of Aspects 7-18, comprising a third precooling refrigerant circuit that extends through at least the warmest heat exchange section and the first heat exchange section, the third precooling refrigerant circuit containing the first refrigerant.

Aspect 20: The apparatus of any of Aspects 7-19, wherein a main heat exchanger is a single-bundle coil wound heat exchanger.

Aspect 21: The apparatus of any of Aspects 7-20, wherein the recycle gas circuit further comprises a compressor downstream from and in fluid flow communication with the flash heat exchanger and a flash gas cooler downstream from and in fluid flow communication with the compressor.

Aspect 22: The apparatus of any of Aspects 7-21, wherein the at least one warming stream comprises a first portion of the precooled second refrigerant stream.

Aspect 23: The apparatus of any of Aspects 7-22, wherein the at least one warming stream comprises a first portion of the precooling refrigerant, the first portion of the first refrigerant being taken from the second precooling refrigerant circuit upstream from the warmest heat exchange section and downstream from the second aftercooler.

Aspect 24: The apparatus of any of Aspects 7-23, wherein the main heat exchanger is operationally configured so that the second liquefied hydrocarbon stream has a second temperature that is less than or equal to a predetermined target temperature and so that the first liquefied hydrocarbon stream has a first temperature that is higher than the second temperature.

Aspect 25: The apparatus of any of Aspects 7-24, wherein the first refrigerant has a first composition and the second refrigerant has a second composition, the first composition being different from the second composition.

Aspect 26: An apparatus for liquefying a hydrocarbon feed stream comprising:

a plurality of heat exchange sections, the plurality of heat exchange sections comprising a warmest heat exchange section and a coldest heat exchange section;

a first hydrocarbon circuit that extends through each of the plurality of heat exchange sections, the first hydrocarbon circuit being downstream from and in fluid flow communication with a supply of a hydrocarbon fluid;

a second refrigerant circuit that extends through each of the plurality of heat exchange sections, the second refrigerant circuit containing a second refrigerant;

a precooling refrigerant circuit that extends through the plurality of heat exchange sections, the precooling refrigerant circuit containing a first refrigerant, the precooling

refrigeration circuit being operationally configured direct a first portion of the first refrigerant through an expansion device and into a shell side of the warmest heat exchange section and a second portion of the first refrigerant through the coldest heat exchange section, through an expansion device and into a shell side of the coldest heat exchange section;

a compression system comprising:

a low pressure first refrigerant conduit in fluid flow communication with a first compression stage and a warm end of the coldest heat exchange section;

a medium pressure first refrigerant conduit in fluid flow communication with a second compression stage and a warm end of the warmest heat exchange section;

a first aftercooler downstream from the second compression stage;

a first vapor-liquid separation device having a first inlet in fluid flow communication with, and downstream from, the first aftercooler, a first vapor outlet located in an upper half of the first vapor-liquid separation device, a first liquid outlet located in a lower half of the first vapor-liquid separation device;

a third compression stage downstream from the first vapor outlet; and

a second aftercooler downstream from the third compression stage;

a pump located downstream from and in fluid flow communication with the first liquid outlet, the pump being located upstream from and in fluid flow communication with the precooling refrigerant circuit;

a main heat exchanger having a second hydrocarbon circuit that is downstream from and in fluid flow communication with the first hydrocarbon circuit for receiving a precooled hydrocarbon stream from the first hydrocarbon circuit, the main heat exchanger being also downstream from and in fluid flow communication with the second refrigerant circuit, the main heat exchanger being operationally configured to at least partially liquefy the precooled hydrocarbon stream by indirect heat exchange against the second refrigerant to produce a first liquefied hydrocarbon stream;

a third vapor-liquid separation device downstream from and in fluid flow communication with the main heat exchanger that is operationally configured to separate the first liquefied hydrocarbon stream into a flash gas stream and a second liquefied hydrocarbon stream; and

a recycle gas circuit downstream from and in fluid flow communication with the third vapor-liquid separation device, the recycle gas circuit extending through a flash heat exchanger and having a recycle stream outlet in fluid flow communication with the first hydrocarbon circuit upstream from the warmest heat exchange section;

wherein the flash gas heat exchanger is operationally configured to warm the flash gas stream against at least one warming stream;

wherein the warmest heat exchange section is operationally configured to partially precool the hydrocarbon fluid flowing through the first hydrocarbon circuit, the second refrigerant flowing through the second refrigerant circuit, and the first refrigerant flowing through the precooling first refrigerant circuit against the first refrigerant flowing through the shell side of the warmest heat exchange section; and

wherein the coldest heat exchange section is operationally configured to precool the hydrocarbon fluid flowing through the first hydrocarbon circuit to produce a precooled hydrocarbon stream, to precool the second refrigerant flowing

11

through the second refrigerant circuit to produce a precooled second refrigerant stream, and to pre-cool the first refrigerant flowing through the precooling refrigerant circuit against the first refrigerant flowing through the shell side of the coldest heat exchange section.

Aspect 27: The apparatus of Aspect 26, wherein the main heat exchanger is a coil-wound heat exchanger.

Aspect 28: The apparatus of Aspect 27, wherein the main heat exchanger has no more than one coil bundle.

Aspect 29: A method of cooling a hydrocarbon feed stream, comprising a hydrocarbon fluid, and a second refrigerant feed stream, comprising a second refrigerant, by indirect heat exchange with a first refrigerant in each of a plurality of heat exchange sections of a precooling subsystem and at least partially liquefying the hydrocarbon feed stream in a main heat exchanger, the precooling subsystem comprising the plurality of heat exchange sections and a compression subsystem, wherein the method comprises:

a. introducing the hydrocarbon feed stream and the second refrigerant feed stream into a warmest heat exchange section of the plurality of heat exchange sections;

b. cooling the hydrocarbon feed stream and the second refrigerant feed stream in each of the plurality of heat exchange sections to produce a precooled hydrocarbon stream and a precooled second refrigerant stream, the precooled second refrigerant stream being fully condensed;

c. further cooling and at least partially liquefying the precooled hydrocarbon stream in the main heat exchanger against the second refrigerant to produce a first liquefied hydrocarbon stream;

d. withdrawing a low pressure first refrigerant stream from a coldest heat exchange section of the plurality of heat exchange sections and compressing the low pressure first refrigerant stream in at least one compression stage of the compression subsystem;

e. withdrawing a medium pressure first refrigerant stream from a first heat exchange section of the plurality of heat exchange sections, the first heat exchange section being warmer than the coldest heat exchange section;

f. combining the low pressure first refrigerant stream and the medium pressure first refrigerant stream to produce a combined first refrigerant stream after steps (d) and (e) have been performed;

g. withdrawing from the compression system, a high-high pressure first refrigerant stream;

h. cooling and at least partially condensing the high-high pressure first refrigerant stream in at least one cooling unit to produce a cooled high-high pressure first refrigerant stream;

i. introducing the cooled high-high pressure first refrigerant stream into a first vapor-liquid separation device to produce a first vapor refrigerant stream and a first liquid refrigerant stream;

j. increasing the pressure of the first liquid refrigerant stream using a pump to produce a first pumped liquid refrigerant stream;

k. compressing at least a portion of the first vapor refrigerant stream of step (i) in at least one compression stage;

l. cooling and condensing a compressed first refrigerant stream in at least one cooling unit to produce a condensed first refrigerant stream, the at least one cooling unit being downstream from and in fluid flow communication with the at least one compression stage of step (n);

m. combining the first pumped liquid refrigerant stream with the condensed first refrigerant stream upstream from the at least one cooling unit;

12

n. introducing the condensed first refrigerant stream into the warmest heat exchange section of the plurality of heat exchange sections;

o. cooling the condensed first refrigerant stream in the warmest heat exchange section to form a cooled condensed first refrigerant stream;

p. expanding a first portion of the cooled condensed first refrigerant stream to produce a first expanded first refrigerant stream;

q. introducing the first expanded first refrigerant stream into the warmest heat exchange section to provide refrigeration duty for step (b);

r. further cooling a second portion of the cooled condensed first refrigerant stream in the coldest heat exchange section to form a further cooled condensed first refrigerant stream;

s. expanding further cooled condensed first refrigerant stream to form a second expanded first refrigerant stream;

t. introducing the second expanded first refrigerant stream into the coldest heat exchange section to provide refrigeration duty for step (b);

u. expanding the first liquefied hydrocarbon stream to form a reduced pressure first liquefied hydrocarbon stream;

v. separating the reduced pressure first liquefied hydrocarbon stream into a flash gas stream and a second liquefied hydrocarbon stream;

w. warming the flash gas stream by indirect heat exchange against at least one stream from the pre-cooling subsystem to form a warmed flash gas stream;

x. compressing the warmed flash gas stream to form a compressed flash gas stream;

y. cooling compressed flash gas stream to form a recycle stream; and

z. combining at least a first portion of the recycle stream with the hydrocarbon feed stream before performing step (a).

BRIEF DESCRIPTION OF THE DRAWINGS

Exemplary embodiments will hereinafter be described in conjunction with the appended figures wherein like numerals denote like elements:

FIG. 1 is a schematic flow diagram of a DMR system in accordance with the prior art;

FIG. 2 is a schematic flow diagram of a precooling system of a DMR system in accordance with a first exemplary embodiment;

FIG. 3 is a schematic flow diagram of a precooling system of a DMR system in accordance with a second exemplary embodiment;

FIG. 4 is a schematic flow diagram of a precooling system of a DMR system in accordance with a third exemplary embodiment;

FIG. 5 is a schematic flow diagram of a precooling system of a DMR system in accordance with a fourth exemplary embodiment; and

FIG. 6 is a schematic flow diagram of a precooling system of a DMR system in accordance with a fifth exemplary embodiment.

DETAILED DESCRIPTION

The ensuing detailed description provides preferred exemplary embodiments only, and is not intended to limit the scope of the claims. Rather, the ensuing detailed description of the preferred exemplary embodiments will provide those skilled in the art with an enabling description for

implementing the preferred exemplary embodiments. Various changes may be made in the function and arrangement of elements without departing from the spirit and scope thereof.

Reference numerals that are introduced in the specification in association with a drawing figure may be repeated in one or more subsequent figures without additional description in the specification in order to provide context for other features. In the figures, elements that are similar to those of other embodiments are represented by reference numerals increased by a value of 100. For example, the flash drum 207 associated with the embodiment of FIG. 2 corresponds to the flash drum 307 associated with the embodiment of FIG. 3. Such elements should be regarded as having the same function and features unless otherwise stated or depicted herein, and the discussion of such elements may therefore not be repeated for multiple embodiments.

The term “fluid flow communication,” as used in the specification and claims, refers to the nature of connectivity between two or more components that enables liquids, vapors, and/or two-phase mixtures to be transported between the components in a controlled fashion (i.e., without leakage) either directly or indirectly. Coupling two or more components such that they are in fluid flow communication with each other can involve any suitable method known in the art, such as with the use of welds, flanged conduits, gaskets, and bolts. Two or more components may also be coupled together via other components of the system that may separate them, for example, valves, gates, or other devices that may selectively restrict or direct fluid flow.

The term “conduit,” as used in the specification and claims, refers to one or more structures through which fluids can be transported between two or more components of a system. For example, conduits can include pipes, ducts, passageways, and combinations thereof that transport liquids, vapors, and/or gases.

The term “natural gas”, as used in the specification and claims, means a hydrocarbon gas mixture consisting primarily of methane.

The terms “hydrocarbon gas” or “hydrocarbon fluid”, as used in the specification and claims, means a gas/fluid comprising at least one hydrocarbon and for which hydrocarbons comprise at least 80%, and more preferably at least 90% of the overall composition of the gas/fluid.

The term “mixed refrigerant” (MR), as used in the specification and claims, means a fluid comprising at least two hydrocarbons and for which hydrocarbons comprise at least 80% of the overall composition of the refrigerant.

The term “heavy hydrocarbons”, as used in the specification and claims, means hydrocarbons having a molecular weight at least as heavy as ethane.

The terms “bundle” and “tube bundle” are used interchangeably within this application and are intended to be synonymous.

The term “ambient fluid”, as used in the specification and claims, means a fluid that is provided to the system at or near ambient pressure and temperature.

In the claims, letters may be used to identify claimed method steps (e.g. (a), (b), and (aa)). These letters are used to aid in referring to the method steps and are not intended to indicate the order in which claimed steps are performed, unless and only to the extent that such order is specifically recited in the claims.

Directional terms may be used in the specification and claims (e.g., upper, lower, left, right, etc.). These directional terms are merely intended to assist in describing exemplary embodiments, and are not intended to limit the scope

thereof. As used herein, the term “upstream” is intended to mean in a direction that is opposite the direction of flow of a fluid in a conduit from a point of reference. Similarly, the term “downstream” is intended to mean in a direction that is the same as the direction of flow of a fluid in a conduit from a point of reference.

As used in the specification and claims, the terms “high-high”, “high”, “medium”, “low”, and “low-low” are intended to express relative values for a property of the elements with which these terms are used. For example, a high-high pressure stream is intended to indicate a stream having a higher pressure than the corresponding high pressure stream or medium pressure stream or low pressure stream described or claimed in this application. Similarly, a high pressure stream is intended to indicate a stream having a higher pressure than the corresponding medium pressure stream or low pressure stream described in the specification or claims, but lower than the corresponding high-high pressure stream described or claimed in this application. Similarly, a medium pressure stream is intended to indicate a stream having a higher pressure than the corresponding low pressure stream described in the specification or claims, but lower than the corresponding high pressure stream described or claimed in this application.

Unless otherwise stated herein, any and all percentages identified in the specification, drawings and claims should be understood to be on a molar percentage basis. Unless otherwise stated herein, any and all pressures identified in the specification, drawings and claims should be understood to mean gauge pressure.

As used herein, the term “cryogen” or “cryogenic fluid” is intended to mean a liquid, gas, or mixed phase fluid having a temperature less than -70 degrees Celsius. Examples of cryogens include liquid nitrogen (LIN), liquefied natural gas (LNG), liquid helium, liquid carbon dioxide and pressurized, mixed phase cryogens (e.g., a mixture of LIN and gaseous nitrogen). As used herein, the term “cryogenic temperature” is intended to mean a temperature below -70 degrees Celsius.

As used in the specification and claims, the term “heat exchange section” is defined as having a warm end and a cold end; wherein a separate cold refrigerant stream (other than ambient) is introduced at the cold end of the heat exchange section and a warm first refrigerant stream is withdrawn from the warm end of the heat exchange section. Multiple heat exchange sections may optionally be contained within a single or multiple heat exchangers. In case of a shell and tube heat exchanger or a coil wound heat exchanger, the multiple heat exchange sections may be contained within a single shell.

As used in the specification and claims, the “temperature” of a heat exchange section is defined by the outlet temperature of the hydrocarbon stream from that heat exchange section. For example, the terms “warmest”, “warmer”, “coldest”, and “colder” when used with respect to a heat exchange section represent the outlet temperature of the hydrocarbon stream from that heat exchange section relative to the outlet temperatures of the hydrocarbon stream of other heat exchange sections. For example, a warmest heat exchange section is intended to indicate a heat exchange section having a hydrocarbon stream outlet temperature warmer than the hydrocarbon stream outlet temperature in any other heat exchange sections.

As used in the specification and claims, the term “compression system” is defined as one or more compression stages. For example, a compression system may comprise

multiple compression stages within a single compressor. In an alternative example, a compression system may comprise multiple compressors.

Unless otherwise stated herein, introducing a stream at a location is intended to mean introducing substantially all of the said stream at the location. All streams discussed in the specification and shown in the drawings (typically represented by a line with an arrow showing the overall direction of fluid flow during normal operation) should be understood to be contained within a corresponding conduit. Each conduit should be understood to have at least one inlet and at least one outlet. Further, each piece of equipment should be understood to have at least one inlet and at least one outlet.

Table 1 defines a list of acronyms employed throughout the specification and drawings as an aid to understanding the described embodiments.

TABLE 1

SMR	Single Mixed Refrigerant	MR	Mixed Refrigerant
DMR	Dual Mixed Refrigerant	CMR	Cold Mixed Refrigerant
C3MR	Propane-precooled Mixed Refrigerant	WMR	Warm Mixed Refrigerant
LNG	Liquid Natural Gas	MRL	Mixed Refrigerant Liquid
MCHE	Main Cryogenic Heat Exchanger	MRV	Mixed Refrigerant Vapor

Systems and methods are described herein for increasing capacity and efficiency of natural gas liquefaction processes having a mixed refrigerant precooling system with multiple pressure levels comprising cooling the compressed mixed refrigerant stream and separating the cooled compressed mixed refrigerant stream into a vapor and liquid portion. The liquid portion provides refrigeration duty to a first precooling heat exchanger. The vapor portion is further compressed, cooled, and condensed, and used to provide refrigeration duty to a second precooling heat exchanger. Further, the systems and methods comprise liquefying the precooling natural gas to produce an LNG stream, lowering the pressure of the LNG stream to produce a flash gas stream, and recycling at least a portion of the flash gas stream to the suction of the first precooling heat exchanger.

FIG. 2 shows a first exemplary embodiment. For simplicity, in FIG. 2 and subsequent figures, only the precooling system 234 is shown in detail and the liquefaction system is shown in a simplified manner. The details of the liquefaction system 165 in FIG. 1 are applicable in any of the subsequent figures.

A low pressure WMR stream 210 (also referred to as a second vaporized first refrigerant stream) is withdrawn from the warm end of the shell side of a second precooling heat exchanger 262 and compressed in a first compression stage 212A of a WMR compressor 212. A medium pressure WMR stream 218 (also referred to as a first vaporized first refrigerant stream) is withdrawn from the warm end of the shell side of a first precooling heat exchanger 260 and introduced as a side-stream into the WMR compressor 212, where it mixes with a compressed stream (not shown) from the first compression stage 212A. Further, the compressed stream from the first compression stage 212A may be cooled against ambient prior to mixing with the medium pressure WMR stream 218. The mixed stream (not shown) is compressed in a second WMR compression stage 212B of the WMR compressor 212 to produce a high-high pressure WMR stream 270. Any liquid present in the low pressure WMR stream 210 and the medium pressure WMR stream 218 are

removed in vapor-liquid separation devices (not shown) prior to introduction in the WMR compressor 212.

The high-high pressure WMR stream 270 may be at a pressure between 5 bara and 40 bara, and preferably between 15 bara and 30 bara. The high-high pressure WMR stream 270 is withdrawn from the WMR compressor 212, and cooled and partially condensed in a high-high pressure WMR intercooler 271 to produce a cooled high-high pressure WMR stream 272. The high-high pressure WMR intercooler 271 may be any suitable type of cooling unit, such as an ambient cooler that uses air or water, and may comprise one or more heat exchangers. The cooled high-high pressure WMR stream 272 may have a vapor fraction between 0.2 and 0.8, preferably between 0.3 and 0.7, and more preferably between 0.4 and 0.6. The cooled high-high pressure WMR stream 272 is phase separated in a first WMR vapor-liquid separation device 273 to produce a first WMRV stream 274 and a first WMRL stream 275.

The first WMRL stream 275 contains less than 75% of ethane and lighter hydrocarbons, preferably less than 70% of ethane and lighter hydrocarbons, and more preferably less than 60% of ethane and lighter hydrocarbons. The first WMRV stream 274 contains more than 40% of ethane and lighter hydrocarbons, preferably more than 50% of ethane and lighter hydrocarbons, and more preferably more than 60% of ethane and lighter hydrocarbons. The first WMRL stream 275 is introduced into the first precooling heat exchanger 260 to be cooled in a tube circuit to produce a first further cooled WMR stream 236 (also referred to as a cooled liquid refrigerant stream) that is expanded in a first WMR expansion device 226 (also referred to as a pressure letdown device) to produce a first expanded WMR stream 228 that provides refrigeration duty to the first precooling heat exchanger 260. Examples of suitable expansion devices include a Joule-Thomson (J-T) valve and a turbine.

The first WMRV stream 274 is introduced into the WMR compressor 212 to be compressed in a third WMR compression stage 212C of WMR compressor 212 to produce a compressed WMR stream 214. The compressed WMR stream 214 is cooled and preferably condensed in a WMR aftercooler 215 to produce a first cooled compressed WMR stream 216 (also referred to as a compressed first refrigerant stream or a second inlet stream), which is introduced into the first precooling heat exchanger 260 to be further cooled in a tube circuit to produce a first precooled WMR stream 217. The molar composition of the first cooled compressed WMR stream 216 is the same as that of the first WMRV stream 274. A portion of the first cooled compressed WMR stream 216 may be removed from the precooling system 234 as a portion of the WMR stream 216a (also referred to as a flash warming stream), cooled in a flash gas exchanger 284 to produce a cooled portion of the WMR stream 216b, which may be returned to the precooling system 234 upstream from expansion in the second WMR expansion device 230 or the first WMR expansion device 226 or any other suitable location. The portion of the WMR stream 216a is preferably less than about 20 mole % of the first cooled compressed WMR stream 216, and preferably between 2 mole % and 10 mole % of the first cooled compressed WMR stream 216.

The first precooled WMR stream 217 is introduced into the second precooling heat exchanger 262 to be further cooled in a tube circuit to produce a second further cooled WMR stream 237. The second further cooled WMR stream 237 is expanded in a second WMR expansion device 230 (also referred to as a pressure letdown device) to produce a second expanded WMR stream 232, which is introduced

into the shell side of the second precooling heat exchanger **262** to provide refrigeration duty.

The first cooled compressed WMR stream **216** may be fully condensed or partially condensed. In a preferred embodiment, the first cooled compressed WMR stream **216** is fully condensed. The cooled high-high pressure WMR stream **272** may comprise less than 20% of components lighter than ethane, preferably less than 10% of components lighter than ethane, and more preferably less than 5% of components lighter than ethane, and is referred to as the “precooling refrigerant composition”. Therefore, it is possible to fully condense the compressed WMR stream **214** to produce a fully condensed first cooled compressed WMR stream **216** without needing to compress to very high pressure. The compressed WMR stream **214** may be at a pressure between 300 psia (21 bara) and 600 psia (41 bara), and preferably between 400 psia (28 bara) and 500 psia (35 bara). If the second precooling heat exchanger **262** was a liquefaction heat exchanger used to fully liquefy the natural gas, the cooled high-high pressure WMR stream **272** would have a higher concentration of nitrogen and methane and therefore the pressure of the compressed WMR stream **214** would have to be higher in order for the first cooled compressed WMR stream **216** to be fully condensed. Since this may not be possible to achieve, the first cooled compressed WMR stream **216** would not be fully condensed and would contain significant vapor concentration that may need to be liquefied separately.

A pretreated feed stream **202** (referred to the claims as a hydrocarbon feed stream) is mixed with a recycle stream **289** to produce a mixed feed stream **201**, which is cooled in a first precooling heat exchanger **260** to produce a first precooled natural gas stream **204** at a temperature below 20 degrees Celsius, preferably below about 10 degrees Celsius, and more preferably below about 0 degrees Celsius. As is known in the art, the feed stream **202** has preferably been pretreated to remove moisture and other impurities such as acid gases, mercury, and other contaminants. The first pre-cooled natural gas stream **204** is cooled in a second precooling heat exchanger **262** to produce the second precooled natural gas stream **206** at a temperature below 10 degrees Celsius, preferably below about 0 degrees Celsius, and more preferably below about -30 degrees Celsius, depending on ambient temperature, natural gas feed composition and pressure. The second precooled natural gas stream **206** may be partially condensed.

A compressed cooled CMR stream **244** (also referred to as a second refrigerant feed stream) is cooled in the first precooling heat exchanger **260** to produce a first precooled CMR stream **246**. The compressed cooled CMR stream **244** may comprise more than 20% of components lighter than ethane, preferably more than 30% of components lighter than ethane, and, more preferably, more than 40% of components lighter than ethane and is referred to as the “liquefaction refrigerant composition”. The first precooled CMR stream **246** is cooled in a second precooling heat exchanger **262** to produce a second precooled CMR stream **248** (also referred to as precooled second refrigerant stream).

The second precooled natural gas stream **206** and the second precooled CMR stream **248** are sent to the liquefaction system. The second precooled natural gas stream is liquefied and optionally subcooled in the MCHE **264** to produce the first LNG stream **208** (referred to as a liquefied hydrocarbon stream in the claims) at a temperature between about -160 degrees Celsius and about -70 degrees Celsius, preferably between about -150 degrees Celsius and about -100 degrees Celsius. The second precooled CMR stream

248 is preferably fully condensed and subcooled in the MCHE **264**, resulting in a cold CMR stream that is let down in pressure across CMRL expansion device **253** to produce an expanded CMRL stream **254**, that is sent back to the shell side of MCHE **264** to provide the required refrigeration. The MCHE **264** is shown as a single bundle exchanger, however multiple bundles or exchangers may be used. Further, the second precooled CMR stream **248** may be two-phase and it may be beneficial to separate it into vapor and liquid phases and utilize separate cooling circuits in the MCHE as well as separate expansion devices, as shown in FIG. 1.

A warm low pressure CMR stream **240** is withdrawn from the warm end of the shell side of the MCHE **264**, sent through a suction drum (not shown) to separate out any liquids and the vapor stream is compressed in CMR compressor **241** to produce a compressed CMR stream **242**. The warm low pressure CMR stream **220** is typically withdrawn at a temperature at or near WMR precooling temperature and preferably less than about -30 degree Celsius and at a pressure of less than 10 bara (145 psia). The compressed CMR stream **242** is cooled in a CMR aftercooler **243**, typically against ambient, to produce a compressed cooled CMR stream **244**. Additional phase separators, compressors, and aftercoolers may be present. The compressed cooled CMR stream **244** is then introduced into the first precooling heat exchanger **260**.

The first LNG stream **208** may be let down in pressure by passing it through the LNG pressure letdown device **211** to produce the reduced pressure LNG stream **203**, which is then sent to the flash drum **207** to produce a flash gas stream **209** and a second LNG stream **205**. The pressure of the reduced pressure LNG stream **203** may be less than between about 20 bara and preferably less than about 10 bara and more preferably less than about 5 bara. Depending on the temperature of the first LNG stream and the pressure of the reduced pressure LNG stream **203**, the flowrate of the flash gas stream **209** may be varied. Typically, a colder first LNG stream and/or a higher pressure reduced pressure LNG stream **203** will lead to lower flash gas stream **209** flowrate. The flowrate of the flash gas stream **209** may be less than about 30% of the flowrate of the reduced pressure LNG stream **203** and preferably less than about 20% of the flowrate of the reduced pressure LNG stream **203**. The second LNG stream **205** may be letdown to storage pressure and sent to an LNG storage tank (not shown). The flash gas stream **209** may also include any boil-off gas (BOG) produced in the storage tank. The flash gas stream **209** may be warmed in a flash gas exchanger **284** to produce a warmed flash gas stream **285**. The warmed flash gas stream **285** may be compressed in a flash gas compressor **286** to produce a compressed flash gas stream **287**, which is cooled in a flash gas cooler **288** to produce the recycle stream **289**, and optionally a fuel gas stream **289a** to be used as fuel in the facility. The flash gas compressor **286** is preferably driven by a separate, dedicated driver **239**, such as an electric motor. The flowrate of the fuel gas stream **289a** may be less than about 30% of the flowrate of the flash gas stream **209** and preferably less than about 20% of the flowrate of the flash gas stream **209**. The recycle stream **289** is mixed with the pretreated feed stream **202** at recycle stream mixing point **245**. In an alternative embodiment, the recycle stream **289** may not be mixed with the pretreated feed stream **202** and may be precooled and liquefied through separate dedicated circuits in the precooling and liquefaction systems.

A portion of CMR stream **248a** may be removed from the liquefaction system **265** at any location, such as from the second precooled CMR stream **248**. The portion of the CMR

stream **248a** (also referred to as a flash warming stream) is preferably less than about 20 mole % of the second pre-cooled CMR stream **248**, and preferably between 5 mole % and 15 mole % of the second pre-cooled CMR stream **248**. The portion of CMR stream **248a** may be cooled against the flash gas stream **209** to produce a cooled portion of CMR stream **248b** (also referred to as a cooled flash warming stream), which may be returned to the liquefaction system **265** at a suitable location, such as upstream of the CMRL expansion device **253**. The portion of the WMR stream **216a** may also be cooled against the flash gas stream **209** to produce the cooled portion of the WMR stream **216b** (also referred to as a cooled flash warming stream).

Although FIG. 2 shows two precooling heat exchangers and two pressure levels in the precooling circuit, any number of precooling heat exchangers and pressure levels may be utilized. The precooling heat exchangers are shown to be coil wound heat exchangers in FIG. 2. However, they may be plate and fin heat exchangers, shell and tube heat exchangers, or any other heat exchangers suitable for pre-cooling natural gas. Further, the heat exchangers may be manufactured by any method, including additive manufacturing and three-dimensional printing.

The two precooling heat exchangers (**260**, **262**) of FIG. 2 may be two heat exchange sections within a single heat exchanger. Alternatively, the two precooling heat exchangers may be two heat exchangers, each with one or more heat exchange sections.

Optionally, a portion of the first pre-cooled WMR stream **217** may be mixed with the first further cooled WMR stream **236** prior to expansion in the first WMR expansion device **226** to provide supplemental refrigeration to the first pre-cooling heat exchanger **260** (shown with dashed line **217a**).

Although FIG. 2 shows three compression stages, any number of compression stages may be performed. Further, compression stages **212A**, **212B**, and **212C** may be part of a single compressor body, or be multiple separate compressors. Additionally, intermediate cooling heat exchangers may be provided between the stages. The WMR compressor **212**, CMR compressor **141** in FIG. 1, and/or the flash gas compressor **286** may be any type of compressor such as centrifugal, axial, positive displacement, or any other compressor type and may comprise any number of stages with optional inter-cooling.

In the embodiment shown in FIG. 2, the warmest heat exchange section is the first precooling heat exchanger **260** and the coldest heat exchange section is the second precooling heat exchanger **262**.

In a preferred embodiment, the second pre-cooled CMR stream **248** may be fully condensed, eliminating the need for the CMR phase separator **150** in FIG. 1 as well as the CMRV expansion device **155** in FIG. 1. In this embodiment, the main cryogenic heat exchanger **164** in FIG. 1 may be a single bundle heat exchanger with two warm feed streams: the second pre-cooled natural gas stream **206** and the second pre-cooled CMR stream **248**.

A benefit of the arrangement shown in FIG. 2 is that the WMR refrigerant stream is split into two portions: the first WMRL stream **275** with heavy hydrocarbons and the first WMRV stream **274** with lighter components. The first precooling heat exchanger **260** is cooled using the first WMRL stream **275** and the second precooling heat exchanger **262** is cooled using the first WMRV stream **274**. Since the first precooling heat exchanger **260** cools to a warmer temperature than the second precooling heat exchanger **262**, the heavier hydrocarbons in the WMR are required in the first precooling heat exchanger **260** while the

lighter hydrocarbons in the WMR are required to provide deeper cooling in the second precooling heat exchanger **262**. Therefore, the arrangement shown in FIG. 2 leads to improved process efficiency, and therefore lowers the required precooling power for the same amount of precooling duty. At fixed precooling power and feed flowrate, it enables colder precooling temperatures. This arrangement also makes it possible to shift the refrigeration load into the precooling system from the liquefaction system, thereby reducing the power requirement in the liquefaction system and reducing the size of the MCHE. Further, the WMR composition and pressures at various compression stages of the WMR compressor **212** may be optimized to result in an optimal vapor fraction in the cooled high-high pressure WMR stream **272**, leading to further improvement in process efficiency. In a preferred embodiment, the three compression stages of WMR compressor **212** (**212A**, **212B**, and **212C**) are performed in a single compressor body, thereby minimizing capital cost.

The arrangement of FIG. 2 results in the composition of the first WMRL stream **275** (also referred to as a first inlet stream) having a higher percentage of heavy hydrocarbons on a mole basis than the first cooled compressed WMR stream **216**. In addition, the pressure of the first WMRL stream **275** is lower than the pressure of the first cooled compressed WMR stream **216**. Preferably the pressure of the first WMRL stream **275** is at least 5 bara lower than the pressure of the first cooled compressed WMR stream **216** and preferably 10 bara lower than the pressure of the first cooled compressed WMR stream **216**. Similarly, the arrangement of FIG. 2 also results in the pressure of the low pressure WMR stream **210** being lower than the pressure of the medium pressure WMR stream **218**. Preferably the pressure of the low pressure WMR stream **210** is at least 2 bara lower than the pressure of the medium pressure WMR stream **218**.

Additionally, the embodiment shown in FIG. 2 allows the temperature of the first LNG stream **208** to be warmer than the prior art for the same LNG product temperature (i.e., the temperature of the second LNG stream **205**). This is because a larger amount of flash gas is produced than in prior art systems. The liquefaction and subcooling duty is reduced, lowering the overall power requirement for the facility. Therefore, the embodiment enables balancing the power requirements for the precooling and liquefaction systems and in a preferred embodiment, results in a 50-50 power split between precooling and liquefaction systems.

Further, the embodiment of FIG. 2 minimizes the need for feed gas flaring in the facility and therefore lowers the amount of feed gas lost to flare. This increases overall plant efficiency and makes the facility more environmentally friendly, which is a valuable improvement over prior art processes.

FIG. 3 shows a second exemplary embodiment. The low pressure WMR stream **310** is compressed in a low pressure WMR compressor **312** to produce a first high pressure WMR stream **313**. A medium pressure WMR stream **318** is compressed in a medium pressure WMR compressor **321** to produce a second high pressure WMR stream **323**. The first high pressure WMR stream **313** and the second high pressure WMR stream **323** are mixed to produce a high-high pressure WMR stream **370** at a pressure between 5 bara and 25 bara, and preferably between 10 bara and 20 bara. The high-high pressure WMR stream **370** is cooled in a high-high pressure WMR intercooler **371** to produce the cooled high-high pressure WMR stream **372**. The high-high pressure WMR intercooler **371** may be an ambient cooler that

cools against air or water and may comprise multiple heat exchangers. The cooled high-high pressure WMR stream 372 may have a vapor fraction between 0.3 and 0.9, preferably between 0.4 and 0.8, and more preferably between 0.45 and 0.6. The cooled high-high pressure WMR stream 372 may comprise less than 20% of components lighter than ethane, preferably less than 10% of components lighter than ethane, and more preferably less than 5% of components lighter than ethane, and is referred to as the “precooling refrigerant composition”. The cooled high-high pressure WMR stream 372 is phase separated in a first WMR vapor-liquid separation device 373 to produce a first WMRV stream 374 and a first WMRL stream 375. The first WMRL stream 375 contains less than 75% of ethane and lighter hydrocarbons, preferably less than 70% of ethane and lighter hydrocarbons, and more preferably less than 60% of ethane and lighter hydrocarbons. The first WMRV stream 374 contains more than 40% of ethane and lighter hydrocarbons, preferably more than 50% of ethane and lighter hydrocarbons, and more preferably more than 60% of ethane and lighter hydrocarbons. The first WMRL stream 375 is introduced into the first precooling heat exchanger to be cooled to produce a first further cooled WMR stream 336. The first further cooled WMR stream 336 is expanded in a first WMR expansion device 326 to produce a first expanded WMR stream 328 that provides refrigeration duty to the first precooling heat exchanger 360.

The first WMRV stream 374 is compressed in a high pressure WMR compressor 376 to produce a compressed WMR stream 314. The compressed WMR stream 314 is cooled and preferably condensed in a WMR aftercooler 315 to produce a first cooled compressed WMR stream 316. The molar composition of the first cooled compressed WMR stream 316 is the same as that of the first WMRV stream 374. A portion of the first cooled compressed WMR stream 316 may be removed from the precooling system 334 as a portion of the WMR stream 316a, cooled in a flash gas exchanger 384 to produce a cooled portion of the WMR stream 316b, which may be returned to the precooling system 334 prior to expansion in the second WMR expansion device 330 or the first WMR expansion device 326 or any other suitable location. The remainder of the first cooled compressed WMR stream 316 is introduced into the first precooling heat exchanger 360 to be further cooled in a tube circuit to produce a first precooled WMR stream 317. The first precooled WMR stream 317 is introduced into the second precooling heat exchanger 362 to be further cooled to produce a second further cooled WMR stream 337. The second further cooled WMR stream 337 is expanded in a second WMR expansion device 330 to produce a second expanded WMR stream 332, which is introduced into the shell side of the second precooling heat exchanger 362 to provide refrigeration duty.

The low pressure WMR compressor 312, the medium pressure WMR compressor 321, and the high pressure WMR compressor 376 may comprise multiple compression stages with optional intercooling heat exchangers. The high pressure WMR compressor 376 may be part of the same compressor body as the low pressure WMR compressor 312 or the medium pressure WMR compressor 321. The compressors may be centrifugal, axial, positive displacement, or any other compressor type. Further, instead of cooling the high-high pressure WMR stream 370 in the high-high pressure WMR intercooler 371, the first high pressure WMR stream 313 and the second high pressure WMR stream 323

may be a phase separator. In an alternate embodiment, the first WMR vapor-liquid separation device 373 may be a distillation column or a mixing column with a suitable cold stream introduced into the column.

Optionally, a portion of the first precooled WMR stream 317 may be mixed with the first further cooled WMR stream 336 prior to expansion in the first WMR expansion device 326 to provide supplemental refrigeration to the first precooling heat exchanger 360 (shown with dashed line 317a). A further embodiment is a variation of FIG. 3 with a three pressure precooling circuit. This embodiment involves a third compressor in addition to the low pressure WMR compressor 312 and the medium pressure WMR compressor 321. In this embodiment, the drivers for the compressors 312, 321, 376 of the pre-cooling subsystems are labeled as drivers 333a, 333b, and 333c respectively.

A pretreated feed stream 302 (also referred as a hydrocarbon feed stream) is mixed with a recycle stream 389 to produce a mixed feed stream 301, which is cooled in a first precooling heat exchanger 360 to produce a first precooled natural gas stream 304 at a temperature below 20 degrees Celsius, preferably below about 10 degrees Celsius, and more preferably below about 0 degrees Celsius. As is known in the art, the feed stream 302 has preferably been pretreated to remove moisture and other impurities such as acid gases, mercury, and other contaminants. The first precooled natural gas stream 304 is cooled in a second precooling heat exchanger 362 to produce the second precooled natural gas stream 306 at a temperature below 10 degrees Celsius, preferably below about 0 degrees Celsius, and more preferably below about -30 degrees Celsius, depending on ambient temperature, natural gas feed composition and pressure. The second precooled natural gas stream 306 may be partially condensed.

A compressed cooled CMR stream 344 (also referred to as a second refrigerant feed stream) is cooled in the first precooling heat exchanger 360 to produce a first precooled CMR stream 346. The compressed cooled CMR stream 344 may comprise more than 20% of components lighter than ethane, preferably more than 30% of components lighter than ethane, and, more preferably, more than 40% of components lighter than ethane and is referred to as the “liquefaction refrigerant composition”. The first precooled CMR stream 346 is cooled in a second precooling heat exchanger 362 to produce a second precooled CMR stream 348 (also referred to as precooled second refrigerant stream).

The second precooled natural gas stream 306 and the second precooled CMR stream 348 are sent to the liquefaction system 365. The second precooled natural gas stream is liquefied and optionally subcooled in the MCHE 364 to produce the first LNG stream 308 (referred to as a liquefied hydrocarbon stream in the claims) at a temperature between about -160 degrees Celsius and about -70 degrees Celsius, preferably between about -150 degrees Celsius and about -100 degrees Celsius. The second precooled CMR stream 348 is preferably fully condensed and subcooled in the MCHE 364, resulting in a cold stream that is let down in pressure across CMRL expansion device 353 to produce an expanded CMRL stream 354, that is sent back to the shell side of MCHE 364 to provide refrigeration required. The MCHE 364 is shown as a single bundle exchanger, however multiple bundles or exchangers may be used. Further, the second precooled CMR stream 348 may be two-phase and it may be beneficial to separate it into vapor and liquid phases and utilize separate cooling circuits in the MCHE as well as separate expansion devices, as shown in FIG. 1.

A warm low pressure CMR stream **340** is withdrawn from the warm end of the shell side of the MCHE **364**, sent through a suction drum (not shown) to separate out any liquids and the vapor stream is compressed in CMR compressor **341** to produce a compressed CMR stream **342**. The warm low pressure CMR stream **320** is typically withdrawn at a temperature at or near WMR precooling temperature and preferably less than about -30 degree Celsius and at a pressure of less than 10 bara (145 psia). The compressed CMR stream **342** is cooled in a CMR aftercooler **343**, typically against ambient air, to produce a compressed cooled CMR stream **344**. Additional phase separators, compressors, and aftercoolers may be present. The compressed cooled CMR stream **344** is then introduced into the first precooling heat exchanger **360**.

The first LNG stream **308** may be let down in pressure by passing it through the LNG pressure letdown device **311** to produce the reduced pressure LNG stream **303**, which is then sent to the flash drum **307** to produce a flash gas stream **309** and a second LNG stream **305**. The second LNG stream **305** may be letdown to storage pressure and sent to an LNG storage tank (not shown). The flash gas stream **309** may also include any boil-off gas (BOG) produced in the storage tank. The flash gas stream **309** may be warmed in a flash gas exchanger **384** to produce a warmed flash gas stream **385**. The warmed flash gas stream **385** may be compressed in a flash gas compressor **386** to produce a compressed flash gas stream **387**, which is cooled in a flash gas cooler **388** to produce the recycle stream **389**, and optionally a fuel gas stream **389a** to be used as fuel in the facility. The recycle stream **389** is mixed with the pretreated feed stream **302**.

A portion of CMR stream **348a** may be removed from the liquefaction system **365** at any location, such as from the second pre-cooled CMR stream **348**. The portion of CMR stream **348a** may be cooled against the flash gas stream **309** to produce a cooled portion of CMR stream **348b**, which may be returned to the liquefaction system **365** at a suitable location, such as upstream of the CMRL expansion device **353**. The portion of the WMR stream **316a** may also be cooled against the flash gas stream **309** to produce the cooled portion of the WMR stream **316b**.

In the embodiment shown in FIG. 3, the warmest heat exchange section is the first precooling heat exchanger **360** and the coldest heat exchange section is the second precooling heat exchanger **362**. The WMR compressor **312**, CMR compressor **141** in FIG. 1, and/or the flash gas compressor **386** may be any type of compressor such as centrifugal, axial, positive displacement, or any other compressor type and may comprise any number of stages with optional inter-cooling.

As in FIG. 2, in a preferred embodiment, the second pre-cooled CMR stream **348** may be fully condensed, eliminating the need for the CMR phase separator **150** in FIG. 1 as well as the CMRV expansion device **155** in FIG. 1. In this embodiment, the main cryogenic heat exchanger **164** in FIG. 1 may be a single bundle heat exchanger with two warm feed streams: the second pre-cooled natural gas stream **306** and the second pre-cooled CMR stream **348**.

Similar to FIG. 2, a benefit of the arrangement shown in FIG. 3 is that the WMR refrigerant stream is split into two portions: the first WMRL stream **375** with heavier hydrocarbons and the first WMRV stream **374** with lighter hydrocarbons. Since the first precooling heat exchanger **360** cools to a warmer temperature than the second precooling heat exchanger **362**, the heavier hydrocarbons in the WMR are required in the first precooling heat exchanger **260** while the lighter hydrocarbons in the WMR are required to provide

deeper cooling in the second precooling heat exchanger **262**. Therefore, the arrangement shown in FIG. 3 leads to improved process efficiency and therefore lower required precooling power, as compared to FIG. 1 of the prior art. This arrangement also makes it possible to shift refrigeration load into the precooling system from the liquefaction system, thereby reducing the power requirement in the liquefaction system and reducing the size of the MCHE. Further, the WMR composition and compression pressures may be optimized to result in an optimal vapor fraction for the cooled high-high pressure WMR stream **372**, leading to further improvement in process efficiency.

Additionally, similar to FIG. 2, the embodiment shown in FIG. 3 allows the temperature for the first LNG stream **308** to be warmer than the prior art for the same temperature of the second LNG stream **305** in tank. This is because a larger amount of flash gas is produced than for the prior art cases. Therefore, the liquefaction and subcooling duty is reduced, lowering the overall power requirement for the facility. The embodiment also allows for almost equal power requirements for the precooling and liquefaction system.

A drawback of the arrangement shown in FIG. 3 compared to that in FIG. 2 is that it requires at least two compressor bodies due to parallel compression of the WMR. However, it is beneficial in scenarios where multiple compression bodies are present. In the embodiment shown in FIG. 3, the low pressure WMR stream **310** and the medium pressure WMR stream **318** are compressed in parallel, which is beneficial in scenarios where compressor size limitations are a concern. The low pressure WMR compressor **312** and the medium pressure WMR compressor **321** may be designed independently and may have different numbers of impellers, pressure ratios, and other design characteristics.

FIG. 4 shows a third embodiment in which three pressure precooling circuits are provided. A low pressure WMR stream **419** is withdrawn from the warm end of shell side of a third precooling heat exchanger **497** and compressed in a first compression stage **412A** of a WMR compressor **412**. A medium pressure WMR stream **410** is withdrawn from the warm end of shell side of a second precooling heat exchanger **462** and introduced as a side-stream into the WMR compressor **412**, where it mixes with the compressed stream (not shown) from the first compression stage **412A**. The mixed stream (not shown) is compressed in a second compression stage **412B** of the WMR compressor **412** to produce a first intermediate WMR stream **425**.

The first intermediate WMR stream **425** is withdrawn from the WMR compressor **412**, and cooled in a high pressure WMR intercooler **427**, which may be an ambient cooler, to produce a cooled first intermediate WMR stream **429**. A high pressure WMR stream **418** is withdrawn from the warm end of the shell side of a first precooling heat exchanger **460** and mixed with the cooled first intermediate WMR stream **429** to produce a mixed high pressure WMR stream **431**. Any liquid present in the low pressure WMR stream **419**, the medium pressure WMR stream **410**, the high pressure WMR stream **418**, and the cooled first intermediate WMR stream **429** may be removed in vapor-liquid separation devices (not shown). In an alternate embodiment, the high pressure WMR stream **418** may be introduced at any other suitable location in the WMR compression sequence, for instance as a side stream to the WMR compressor **412** or mixed with any other inlet stream to the WMR compressor **412**.

The mixed high pressure WMR stream **431** is introduced into the WMR compressor **412** and compressed in a third WMR compression stage **412C** of the WMR compressor

25

412 to produce a high-high pressure WMR stream 470. The high-high pressure WMR stream 470 may be at a pressure between 5 bara and 35 bara, and preferably between 15 bara and 25 bara. The high-high pressure WMR stream 470 is withdrawn from the WMR compressor 412, cooled and partially condensed in a high-high pressure WMR intercooler 471 to produce a cooled high-high pressure WMR stream 472. The high-high pressure WMR intercooler 471 may be an ambient cooler that uses air or water. The cooled high-high pressure WMR stream 472 may have a vapor fraction between 0.2 and 0.8, preferably between 0.3 and 0.7, and more preferably between 0.4 and 0.6. The cooled high-high pressure WMR stream 472 may comprise less than 20% of components lighter than ethane, preferably less than 10% of components lighter than ethane, and more preferably less than 5% of components lighter than ethane, and is referred to as the “precooling refrigerant composition”. The cooled high-high pressure WMR stream 472 is phase separated in a first WMR vapor-liquid separation device 473 to produce a first WMRV stream 474 and a first WMRL stream 475.

The first WMRL stream 475 contains less than 75% of ethane and lighter hydrocarbons, preferably less than 70% of ethane and lighter hydrocarbons, and more preferably less than 60% of ethane and lighter hydrocarbons. The first WMRV stream 474 contains more than 40% of ethane and lighter hydrocarbons, preferably more than 50% of ethane and lighter hydrocarbons, and more preferably more than 60% of ethane and lighter hydrocarbons. The first WMRL stream 475 is introduced into the first precooling heat exchanger 460 to be cooled to produce a second cooled compressed WMR stream 420 that is split into two portions; a first portion 422 and a second portion 424. The first portion 422 of the second cooled compressed WMR stream 420 is expanded in a first WMR expansion device 426 to produce a first expanded WMR stream 428 that provides refrigeration duty to the first precooling heat exchanger 460. The second portion 424 of the second cooled compressed WMR stream 420 is further cooled in a tube circuit of the second precooling heat exchanger 462 to produce a second further cooled WMR stream 437. The second further cooled WMR stream 437 is expanded in a second WMR expansion device 430 to produce a second expanded WMR stream 432, which is introduced into the shell side of the second precooling heat exchanger 462 to provide refrigeration duty.

The first WMRV stream 474 is introduced into the WMR compressor 412 to be compressed in a fourth WMR compression stage 412D to produce a compressed WMR stream 414. The compressed WMR stream 414 is cooled and preferably condensed in a WMR aftercooler 415 to produce a first cooled compressed WMR stream 416. The molar composition of the first cooled compressed WMR stream 416 is the same as that of the first WMRV stream 474. A portion of the first cooled compressed WMR stream 416 may be removed from the precooling system 434 as a portion of the WMR stream 416a, cooled in a flash gas exchanger 484 to produce a cooled portion of the WMR stream 416b, which may be returned to the precooling system 434 prior to expansion in the third WMR expansion device 482 or the second WMR expansion device 430 or the first WMR expansion device 426 or any other suitable location. The remainder of the first cooled compressed WMR stream 416 may be introduced into the first precooling heat exchanger 460 to be further cooled in a tube circuit to produce a second precooled WMR stream 480. The second precooled WMR stream 480 is introduced into the second precooling heat exchanger 462 to be further cooled

26

to produce a third precooled WMR stream 481, which is introduced into the third precooling heat exchanger 497 to be further cooled to produce a third further cooled WMR stream 438. The third further cooled WMR stream 438 is expanded in a third WMR expansion device 482 to produce a third expanded WMR stream 483, which is introduced into the shell side of the third precooling heat exchanger 497 to provide refrigeration duty.

Optionally, a portion of the third precooled WMR stream 481 may be mixed with the second further cooled WMR stream 437 prior to expansion in the second WMR expansion device 430 (shown with dashed line 481a) to provide supplemental refrigeration to the second precooling heat exchanger 462.

The pretreated feed stream 402 (also called a hydrocarbon feed stream) is mixed with a recycle stream 489 at mixing point 445 to produce a mixed feed stream 401, which is cooled in the first precooling heat exchanger 460 to produce a first precooled natural gas stream 404. The first precooled natural gas stream 404 is cooled in the second precooling heat exchanger 462 to produce a third precooled natural gas stream 498, which is further cooled in the third precooling heat exchanger 497 to produce a second precooled natural gas stream 406. A compressed cooled CMR stream 444 is cooled in the first precooling heat exchanger 460 to produce a first precooled CMR stream 446. The compressed cooled CMR stream 444 may comprise more than 20% of components lighter than ethane, preferably more than 30% of components lighter than ethane, and, more preferably, more than 40% of components lighter than ethane and is referred to as the “liquefaction refrigerant composition”. The first precooled CMR stream 446 is cooled in a second precooling heat exchanger 462 to produce a third precooled CMR stream 447, which is further cooled in a third precooling heat exchanger 497 to produce a second precooled CMR stream 448.

The second precooled natural gas stream 406 and the second precooled CMR stream 248 are sent to the liquefaction system 465. The second precooled natural gas stream is liquefied and optionally subcooled in the MCHE 464 to produce the first LNG stream 408 (referred to as a liquefied hydrocarbon stream in the claims) at a temperature between about -160 degrees Celsius and about -70 degrees Celsius, preferably between about -150 degrees Celsius and about -100 degrees Celsius. The second precooled CMR stream 448 is preferably fully condensed and subcooled in the MCHE 464, resulting in a cold stream that is let down in pressure across CMRL expansion device 453 to produce an expanded CMRL stream 454, that is sent back to the shell side of MCHE 464 to provide refrigeration required. The MCHE 464 is shown as a single bundle exchanger, however multiple bundles or exchangers may be used. Further, the second precooled CMR stream 448 may be two-phase and it may be beneficial to separate it into vapor and liquid phases and utilize separate cooling circuits in the MCHE as well as separate expansion devices, as shown in FIG. 1.

A warm low pressure CMR stream 440 is withdrawn from the warm end of the shell side of the MCHE 464, sent through a suction drum (not shown) to separate out any liquids and the vapor stream is compressed in CMR compressor 441 to produce a compressed CMR stream 442. The warm low pressure CMR stream 440 is typically withdrawn at a temperature at or near WMR precooling temperature and preferably less than about -30 degree Celsius and at a pressure of less than 10 bara (145 psia). The compressed CMR stream 442 is cooled in a CMR aftercooler 443, typically against ambient air, to produce a compressed

cooled CMR stream **444**. Additional phase separators, compressors, and aftercoolers may be present. The compressed cooled CMR stream **444** is then introduced into the first precooling heat exchanger **460**.

The first LNG stream **408** may be let down in pressure by passing it through the LNG pressure letdown device **411** to produce the reduced pressure LNG stream **403**, which is then sent to the flash drum **407** to produce a flash gas stream **409** and a second LNG stream **405**. The second LNG stream **405** may be let down to storage pressure and sent to an LNG storage tank (not shown). The flash gas stream **409** may also include any boil-off gas (BOG) produced in the storage tank. The flash gas stream **409** may be warmed in a flash gas exchanger **484** to produce a warmed flash gas stream **485**. The warmed flash gas stream **485** may be compressed in a flash gas compressor **486** to produce a compressed flash gas stream **487**, which is cooled in a flash gas cooler **488** to produce the recycle stream **489**, and optionally a fuel gas stream **489a** to be used as fuel in the facility. The recycle stream **489** is mixed with the pretreated feed stream **402**.

A portion of CMR stream **448a** may be removed from the liquefaction system **465** at any location, such as from the second precooled CMR stream **448**. The portion of CMR stream **448a** may be cooled against the flash gas stream **409** to produce a cooled portion of CMR stream **448b**, which may be returned to the liquefaction system **465** at a suitable location, such as upstream of the CMRL expansion device **453**. The portion of the WMR stream **416a** may also be cooled against the flash gas stream **409** to produce the cooled portion of the WMR stream **416b**.

Although FIG. 4 shows four compression stages, any number of compression stages may be present. Further, the compression stages may be part of a single compressor body, or be multiple separate compressors with optional intercooling. The WMR compressor **412**, CMR compressor **141** in FIG. 1, and/or the flash gas compressor **486** may be any type of compressor such as centrifugal, axial, positive displacement, or any other compressor type and may comprise any number of stages with optional inter-cooling.

As in FIG. 2, in a preferred embodiment, the second precooled CMR stream **448** may be fully condensed, eliminating the need for the CMR phase separator **150** in FIG. 1 as well as the CMRV expansion device **155** in FIG. 1. In this embodiment, the main cryogenic heat exchanger **164** in FIG. 1 may be a single bundle heat exchanger with two warm feed streams: the second precooled natural gas stream **406** and the second precooled CMR stream **448**.

In the embodiment shown in FIG. 4, the warmest heat exchange section is the first precooling heat exchanger **460** and the coldest heat exchange section is the third precooling heat exchanger **497**.

The embodiment shown in FIG. 4 possesses all of the benefits of the embodiment shown in FIG. 2. A further embodiment is a variation of FIG. 4 with only two precooling heat exchangers, such that the entire second cooled compressed WMR stream **420** is used to provide refrigeration to the first heat exchanger. This embodiment eliminates the need for an additional heat exchanger and is lower in capital cost.

FIG. 5 shows a fourth embodiment and a variation of the embodiment shown in FIG. 4 with three precooling heat exchangers. A low pressure WMR stream **519** is withdrawn from the warm end of the shell side of a third precooling heat exchanger **597** and compressed in a first compression stage **512A** of a WMR compressor **512**. A medium pressure WMR stream **510** is withdrawn from the warm end of shell side of a second precooling heat exchanger **562** and introduced as a

side-stream into the WMR compressor **512**, where it mixes with the compressed stream (not shown) from the first compression stage **512A**. The mixed stream (not shown) is compressed in a second compression stage **512B** of the WMR compressor **512** to produce a first intermediate WMR stream **525**. The first intermediate WMR stream **525** is cooled in a high pressure WMR intercooler **527**, which may be an ambient cooler, to produce a cooled first intermediate WMR stream **529**.

Any liquid present in the low pressure WMR stream **519**, the medium pressure WMR stream **510**, and the high pressure WMR stream **518** may be removed in vapor-liquid separation devices (not shown).

A high pressure WMR stream **518** is withdrawn from the warm end of the shell side of a first precooling heat exchanger **560** and mixed with the cooled first intermediate WMR stream **529** to produce a mixed medium pressure WMR stream **531**.

The mixed medium pressure WMR stream **531** is introduced into the WMR compressor **512** to be compressed in a third WMR compression stage **512C** of the WMR compressor **512** to produce a high-high pressure WMR stream **570**. The high-high pressure WMR stream **570** may be at a pressure between 5 bara and 35 bara, and preferably between 10 bara and 25 bara. The high-high pressure WMR stream **570** is withdrawn from the WMR compressor **512**, and cooled and partially condensed in a high-high pressure WMR intercooler **571** to produce a cooled high-high pressure WMR stream **572**. The high-high pressure WMR intercooler **571** may be an ambient cooler that uses air or water. The cooled high-high pressure WMR stream **572** may have a vapor fraction between 0.2 and 0.8, preferably between 0.3 and 0.7, and more preferably between 0.4 and 0.6. The cooled high-high pressure WMR stream **572** may comprise less than 20% of components lighter than ethane, preferably less than 10% of components lighter than ethane, and more preferably less than 5% of components lighter than ethane, and is referred to as the "precooling refrigerant composition". The cooled high-high pressure WMR stream **572** is phase separated in a first WMR vapor-liquid separation device **573** to produce a first WMRV stream **574** and a first WMRL stream **575**.

The first WMRL stream **575** contains less than 75% of ethane and lighter hydrocarbons, preferably less than 70% of ethane and lighter hydrocarbons, and more preferably less than 60% of ethane and lighter hydrocarbons. The first WMRV stream **574** contains more than 40% of ethane and lighter hydrocarbons, preferably more than 50% of ethane and lighter hydrocarbons, and more preferably more than 60% of ethane and lighter hydrocarbons. The first WMRL stream **575** is introduced into the first precooling heat exchanger **560** to be cooled in a tube circuit to produce a first further cooled WMR stream **536**. The first further cooled WMR stream **536** is expanded in a first WMR expansion device **526** to produce a first expanded WMR stream **528**. The first expanded WMR stream **528** provides refrigeration duty for the first precooling heat exchanger **560**.

The first WMRV stream **574** is introduced into the WMR compressor **512** to be compressed in a fourth WMR compression stage **512D** to produce a second intermediate WMR stream **590** at a pressure between 10 bara and 50 bara, and preferably between 15 bara and 45 bara. The second intermediate WMR stream **590** is withdrawn from the WMR compressor **512**, and cooled and partially condensed in a first WMRV intercooler **591** to produce a cooled second intermediate WMR stream **592**. The first WMRV intercooler **591** may be an ambient cooler that cools against air or water.

The cooled second intermediate WMR stream **592** may have a vapor fraction between 0.2 and 0.8, preferably between 0.3 and 0.7, and more preferably between 0.4 and 0.6. The cooled second intermediate WMR stream **592** is phase separated in a second WMR vapor-liquid separation device **593** to produce a second WMRV stream **594** and a second WMRL stream **595**. The second WMRL stream **595** contains between about 40% and 80% of ethane and lighter hydrocarbons, preferably between about 50% and 75% of ethane and lighter hydrocarbons, and more preferably between about 60% and 70% of ethane and lighter hydrocarbons.

The second WMRL stream **595** is cooled in a tube circuit of the first precooling heat exchanger **560** to produce a first precooled WMR stream **517**. The first precooled WMR stream **517** is further cooled in a tube circuit of the second precooling heat exchanger **562** to produce a second further cooled WMR stream **537**. The second further cooled WMR stream **537** is expanded in a second WMR expansion device **530** to produce a second expanded WMR stream **532** that provides refrigeration duty to the second precooling heat exchanger **562**. In an alternate embodiment, a portion of the first precooled WMR stream **517** may be mixed with the first further cooled WMR stream **536** prior to expansion in the first WMR expansion device **526** in order to provide supplemental refrigeration to the first precooling heat exchanger **560**.

The second WMRV stream **594** is introduced into the WMR compressor **512** to be compressed in a fifth WMR compression stage **512E** to produce a compressed WMR stream **514**. The compressed WMR stream **514** is cooled and preferably condensed in a WMR aftercooler **515** to produce a first cooled compressed WMR stream **516**. The first cooled compressed WMR stream **516** contains more than 40% of ethane and lighter hydrocarbons, preferably more than 50% of ethane and lighter hydrocarbons, and more preferably more than 60% of ethane and lighter hydrocarbons. A portion of the first cooled compressed WMR stream **516** may be removed from the precooling system **534** as a portion of the WMR stream **516a**, cooled in a flash gas exchanger **584** to produce a cooled portion of the WMR stream **516b**, which may be returned to the precooling system **534** prior to expansion in the third WMR expansion device **582**, or the second WMR expansion device **530**, or the first WMR expansion device **526**, or any other suitable location. The remainder of the first cooled compressed WMR stream **516** may be introduced into the first precooling heat exchanger **560** to be further cooled in a tube circuit to produce a second precooled WMR stream **580**. The second precooled WMR stream **580** is introduced into the second precooling heat exchanger **562** to be further cooled to produce a third precooled WMR stream **581**, which is introduced into the third precooling heat exchanger **597** to be further cooled to produce a third further cooled WMR stream **538**. The third further cooled WMR stream **538** is expanded in a third WMR expansion device **582** to produce a third expanded WMR stream **583**, which is introduced into the shell side of the third precooling heat exchanger **597** to provide refrigeration duty.

The pretreated feed stream **502** (referred to the claims as a hydrocarbon feed stream) is mixed with a recycle stream **589** to produce a mixed feed stream **501**, which is cooled in the first precooling heat exchanger **560** to produce a first precooled natural gas stream **504**. The first precooled natural gas stream **504** is cooled in the second precooling heat exchanger **562** to produce a third precooled natural gas stream **598**, which is further cooled in the third precooling heat exchanger **597** to produce a second precooled natural

gas stream **506**. A compressed cooled CMR stream **544** is cooled in the first precooling heat exchanger **560** to produce a first precooled CMR stream **546**. The compressed cooled CMR stream **544** may comprise more than 20% of components lighter than ethane, preferably more than 30% of components lighter than ethane, and, more preferably, more than 40% of components lighter than ethane and is referred to as the “liquefaction refrigerant composition”. The first precooled CMR stream **546** is cooled in a second precooling heat exchanger **562** to produce a third precooled CMR stream **547**, which is further cooled in a third precooling heat exchanger **597** to produce a second precooled CMR stream **548**.

The second precooled natural gas stream **506** and the second precooled CMR stream **548** are sent to the liquefaction system **565**. The second precooled natural gas stream is liquefied and optionally subcooled in the MCHE **564** to produce the first LNG stream **508** (referred to as a liquefied hydrocarbon stream in the claims) at a temperature between about -160 degrees Celsius and about -70 degrees Celsius, preferably between about -150 degrees Celsius and about -100 degrees Celsius. The second precooled CMR stream **548** is preferably fully condensed and subcooled in the MCHE **564**, resulting in a cold stream that is let down in pressure across CMRL expansion device **553** to produce an expanded CMRL stream **554**, that is sent back to the shell side of MCHE **564** to provide the refrigeration required. The MCHE **564** is shown as a single bundle exchanger, however multiple bundles or exchangers may be used. Further, the second precooled CMR stream **548** may be two-phase and it may be beneficial to separate it into vapor and liquid phases and utilize separate cooling circuits in the MCHE as well as separate expansion devices, as shown in FIG. 1.

A warm low pressure CMR stream **540** is withdrawn from the warm end of the shell side of the MCHE **564**, sent through a suction drum (not shown) to separate out any liquids and the vapor stream is compressed in CMR compressor **541** to produce a compressed CMR stream **542**. The warm low pressure CMR stream **520** is typically withdrawn at a temperature at or near WMR precooling temperature and preferably less than about -30 degree Celsius and at a pressure of less than 10 bara (145 psia). The compressed CMR stream **542** is cooled in a CMR aftercooler **543**, typically against ambient, to produce a compressed cooled CMR stream **544**. Additional phase separators, compressors, and aftercoolers may be present. The compressed cooled CMR stream **544** is then introduced into the first precooling heat exchanger **560**.

The first LNG stream **508** may be let down in pressure by passing it through the LNG pressure letdown device **511** to produce the reduced pressure LNG stream **503**, which is then sent to the flash drum **507** to produce a flash gas stream **509** and a second LNG stream **505**. The second LNG stream **505** may be letdown to storage pressure and sent to an LNG storage tank (not shown). The flash gas stream **509** may also include any boil-off gas (BOG) produced in the storage tank. The flash gas stream **509** may be warmed in a flash gas exchanger **584** to produce a warmed flash gas stream **585**. The warmed flash gas stream **585** may be compressed in a flash gas compressor **586** to produce a compressed flash gas stream **587**, which is cooled in a flash gas cooler **588** to produce the recycle stream **589** and optionally a fuel gas stream **589a** to be used as fuel in the facility. The recycle stream **589** is mixed with the pretreated feed stream **502**.

A portion of CMR stream **548a** may be removed from the liquefaction system **565** at any location, such as from the second precooled CMR stream **548**. The portion of CMR

31

stream **548a** may be cooled against the flash gas stream **509** to produce a cooled portion of CMR stream **548b**, which may be returned to the liquefaction system **565** at a suitable location, such as upstream of the CMRL expansion device **553**. The portion of the WMR stream **516a** may also be cooled against the flash gas stream **509** to produce the cooled portion of the WMR stream **516b**.

In the embodiment shown in FIG. 5, the warmest heat exchange section is the first precooling heat exchanger **560** and the coldest heat exchange section is the third precooling heat exchanger **597**.

FIG. 5 possesses all the benefits of the embodiment described in FIG. 2. It involves a third precooling heat exchanger and additional compression stages, therefore it has a higher capital cost than FIG. 2. However, FIG. 5 involves three different WMR compositions, one for each of the three precooling heat exchangers. Therefore, the embodiment of FIG. 5 results in improved process efficiency at increased capital cost.

Optionally, a portion of the second precooled WMR stream **580** may be mixed with the first further cooled WMR stream **536** prior to expansion in the first WMR expansion device **526** to provide supplemental refrigeration to the first precooling heat exchanger **560** (shown with dashed line **581a**). Alternatively or additionally, a portion of the third precooled WMR stream **581** may be mixed with the second further cooled WMR stream **537** prior to expansion in the second WMR expansion device **530** in order to provide supplemental refrigeration duty to the second precooling heat exchanger **562**.

FIG. 6 shows a fifth embodiment, which is a variation of FIG. 2. A low pressure WMR stream **610** is withdrawn from the warm end of the shell side of a second precooling heat exchanger **662** and compressed in a first compression stage **612A** of a WMR compressor **612**. A medium pressure WMR stream **618** is withdrawn from the warm end of the shell side of a first precooling heat exchanger **660** and introduced as a side-stream into the WMR compressor **612**, where it mixes with compressed stream (not shown) from the first compression stage **612A**. The mixed stream (not shown) is compressed in a second WMR compression stage **612B** of the WMR compressor **612** to produce a high-high pressure WMR stream **670**. Any liquid present in the low pressure WMR stream **610** and the medium pressure WMR stream **618** are removed in vapor-liquid separation devices (not shown) prior to introduction in the WMR compressor **612**.

The high-high pressure WMR stream **670** may be at a pressure between 5 bara and 40 bara, and preferably between 15 bara and 30 bara. The high-high pressure WMR stream **670** is withdrawn from the WMR compressor **612**, and cooled and partially condensed in a high-high pressure WMR intercooler **671** to produce a cooled high-high pressure WMR stream **672**. The high-high pressure WMR intercooler **671** may be any suitable type of cooling unit, such as an ambient cooler that uses air or water, and may comprise one or more heat exchangers. The cooled high-high pressure WMR stream **672** may have a vapor fraction between 0.2 and 0.8, preferably between 0.3 and 0.7, and more preferably between 0.4 and 0.6. The cooled high-high pressure WMR stream **672** may comprise less than 20% of components lighter than ethane, preferably less than 10% of components lighter than ethane, and more preferably less than 5% of components lighter than ethane, and is referred to as the "precooling refrigerant composition". The cooled high-high pressure WMR stream **672** is phase separated in a first WMR vapor-liquid separation device **673** to produce a first WMRV stream **674** and a first WMRL stream **675**.

32

The first WMRL stream **675** contains less than 75% of ethane and lighter hydrocarbons, preferably less than 70% of ethane and lighter hydrocarbons, and more preferably less than 60% of ethane and lighter hydrocarbons. The first WMRV stream **674** contains more than 40% of ethane and lighter hydrocarbons, preferably more than 50% of ethane and lighter hydrocarbons, and more preferably more than 60% of ethane and lighter hydrocarbons. The first WMRL stream **675** is increased in pressure in a WMR pump **663** to produce a pumped first WMRL stream **677**.

The first WMRV stream **674** is introduced into the WMR compressor **612** to be compressed in a third WMR compression stage **612C** of WMR compressor **612** to produce a compressed WMR stream **614**, which may be mixed with the pumped first WMRL stream **677** to produce a mixed compressed WMR stream **661**. The mixed compressed WMR stream **661** is cooled and preferably condensed in a WMR aftercooler **615** to produce a first cooled compressed WMR stream **616** (also referred to as a compressed first refrigerant stream). The composition of the first cooled compressed WMR stream **616** is the same as that of the cooled high-high pressure WMR stream **672**. A portion of the first cooled compressed WMR stream **616** may be removed from the precooling system **634** as a portion of the WMR stream **616a**, cooled in a flash gas exchanger **684** to produce a cooled portion of the WMR stream **616b**, which may be returned to the precooling system **634** prior to expansion in the second WMR expansion device **630**, or the first WMR expansion device **626**, or any other suitable location.

The remainder of the first cooled compressed WMR stream **616** is then introduced into the first precooling heat exchanger **660** to be further cooled in a tube circuit to produce a second cooled compressed WMR stream **620**. The second cooled compressed WMR stream **620** is split into two portions; a first portion **622** and a second portion **624**. The first portion **622** of the second cooled compressed WMR stream **620** is expanded in a first WMR expansion device **626** to produce a first expanded WMR stream **628**, which is introduced into the shell side of the first precooling heat exchanger **660** to provide refrigeration duty. The second portion **624** of the second cooled compressed WMR stream **620** is introduced into the second precooling heat exchanger **662** to be further cooled, thereby forming a second further cooled WMR stream **637**, after which it is expanded in a second WMR expansion device **630** to produce a second expanded WMR stream **632**, which is introduced into the shell side of the second precooling heat exchanger **662** to provide refrigeration duty.

The first cooled compressed WMR stream **616** may be fully condensed or partially condensed. In a preferred embodiment, the first cooled compressed WMR stream **616** is fully condensed. Due to the precooling refrigerant composition, it is possible to fully condense the compressed WMR stream **614** to produce a totally condensed first cooled compressed WMR stream **616** without needing to compress to very high pressure. The compressed WMR stream **614** may be at a pressure between 300 psia (21 bara) and 600 psia (41 bara), and preferably between 400 psia (28 bara) and 500 psia (35 bara). If the second precooling heat exchanger **662** was a liquefaction heat exchanger used to fully liquefy the natural gas, the cooled high-high pressure WMR stream **672** would have a higher concentration of nitrogen and methane and therefore the pressure of the compressed WMR stream **614** would have to be higher in order for the first cooled compressed WMR stream **616** to be fully condensed. Since this may not be possible to achieve, the first cooled com-

pressed WMR stream **616** would not be fully condensed and would contain significant vapor concentration that may need to be liquefied separately.

A pretreated feed stream **602** (referred to the claims as a hydrocarbon feed stream) is mixed with a recycle stream **689** to produce a mixed feed stream **601**, which is cooled in a first precooling heat exchanger **660** to produce a first precooled natural gas stream **604** at a temperature below 20 degrees Celsius, preferably below about 10 degrees Celsius, and more preferably below about 0 degrees Celsius. As is known in the art, the feed stream **602** has preferably been pretreated to remove moisture and other impurities such as acid gases, mercury, and other contaminants. The first precooled natural gas stream **604** is cooled in a second precooling heat exchanger **662** to produce the second precooled natural gas stream **606** at a temperature below 10 degrees Celsius, preferably below about 0 degrees Celsius, and more preferably below about -30 degrees Celsius, depending on ambient temperature, natural gas feed composition and pressure. The second precooled natural gas stream **606** may be partially condensed.

A compressed cooled CMR stream **644** (also referred to as a second refrigerant feed stream) is cooled in the first precooling heat exchanger **660** to produce a first precooled CMR stream **646**. The compressed cooled CMR stream **644** may comprise more than 20% of components lighter than ethane, preferably more than 30% of components lighter than ethane, and, more preferably, more than 40% of components lighter than ethane and is referred to as the "liquefaction refrigerant composition". The first precooled CMR stream **646** is cooled in a second precooling heat exchanger **662** to produce a second precooled CMR stream **648** (also referred to as precooled second refrigerant stream).

The second precooled natural gas stream **606** and the second precooled CMR stream **648** are sent to the liquefaction system **665**. The second precooled natural gas stream is liquefied and optionally subcooled in the MCHE **664** to produce the first LNG stream **608** (referred to as a liquefied hydrocarbon stream in the claims) at a temperature between about -160 degrees Celsius and about -70 degrees Celsius, preferably between about -150 degrees Celsius and about -100 degrees Celsius. The second precooled CMR stream **648** is preferably fully condensed and subcooled in the MCHE **664**, resulting in a cold stream that is let down in pressure across CMRL expansion device **653** to produce an expanded CMRL stream **654**, that is sent back to the shell side of MCHE **664** to provide the required refrigeration. The MCHE **664** is shown as a single bundle exchanger, however multiple bundles or exchangers may be used. Further, the second precooled CMR stream **648** may be two-phase and it may be beneficial to separate it into vapor and liquid phases and utilize separate cooling circuits in the MCHE as well as separate expansion devices, as shown in FIG. 1.

A warm low pressure CMR stream **640** is withdrawn from the warm end of the shell side of the MCHE **664**, sent through a suction drum (not shown) to separate out any liquids and the vapor stream is compressed in CMR compressor **641** to produce a compressed CMR stream **642**. The warm low pressure CMR stream **640** is typically withdrawn at a temperature at or near WMR precooling temperature and preferably less than about -30 degree Celsius and at a pressure of less than 10 bara (145 psia). The compressed CMR stream **642** is cooled in a CMR aftercooler **643**, typically against ambient, to produce a compressed cooled CMR stream **644**. Additional phase separators, compressors,

and aftercoolers may be present. The compressed cooled CMR stream **644** is then introduced into the first precooling heat exchanger **660**.

The first LNG stream **608** may be let down in pressure by passing it through the LNG pressure letdown device **611** to produce the reduced pressure LNG stream **603**, which is then sent to the flash drum **607** to produce a flash gas stream **609** and a second LNG stream **605**. The second LNG stream **605** may be letdown to storage pressure and sent to an LNG storage tank (not shown). The flash gas stream **609** may also include any boil-off gas (BOG) produced in the storage tank. The flash gas stream **609** may be warmed in a flash gas exchanger **684** to produce a warmed flash gas stream **685**. The warmed flash gas stream **685** may be compressed in a flash gas compressor **686** to produce a compressed flash gas stream **687**, which is cooled in a flash gas cooler **688** to produce the recycle stream **689**, and optionally a fuel gas stream **689a** to be used as fuel in the facility. The recycle stream **689** is mixed with the pretreated feed stream **602**.

A portion of CMR stream **648a** may be removed from the liquefaction system **665** at any location, such as from the second precooled CMR stream **648**. The portion of CMR stream **648a** may be cooled against the flash gas stream **609** to produce a cooled portion of CMR stream **648b**, which may be returned to the liquefaction system **665** at a suitable location, such as upstream of the CMRL expansion device **653**. The portion of the WMR stream **616a** may also be cooled against the flash gas stream **609** to produce the cooled portion of the WMR stream **616b**.

Although FIG. 6 shows two precooling heat exchangers and two pressure levels in the precooling circuit, any number of precooling heat exchangers and pressure levels may be utilized. The precooling heat exchangers are shown to be coil wound heat exchangers in FIG. 6. However, they may be plate and fin heat exchangers, shell and tube heat exchangers, or any other heat exchangers suitable for precooling natural gas. Further, the heat exchangers may be manufactured by any method, including additive printing manufacturing methods.

The two precooling heat exchangers (**660**, **662**) of FIG. 6 may be two heat exchange sections within a single heat exchanger. Alternatively, the two precooling heat exchangers may be two heat exchangers, each with one or more heat exchange sections.

The WMR compressor **612**, CMR compressor **141** in FIG. 1, and/or the flash gas compressor **686** may be any type of compressor such as centrifugal, axial, positive displacement, or any other compressor type and may comprise any number of stages with optional inter-cooling.

In the embodiment shown in FIG. 6, the warmest heat exchange section is the first precooling heat exchanger **660** and the coldest heat exchange section is the second precooling heat exchanger **662**.

In a preferred embodiment, the second precooled CMR stream **648** may be fully condensed, eliminating the need for the CMR phase separator **150** in FIG. 1 as well as the CMRV expansion device **155** in FIG. 1. In this embodiment, the main cryogenic heat exchanger **164** in FIG. 1 may be a single bundle heat exchanger with two warm feed streams: the second precooled natural gas stream **606** and the second precooled CMR stream **648**.

The advantage of FIG. 6 over the prior art is that it improves the efficiency of the precooling process by addition of the WMR pump **663**. By only compressing the vapor from the first WMR vapor-liquid separation device and

35

knocking out the interstage liquid and pumping it separately, the efficiency of the precooling process increases significantly.

Additionally, the embodiment shown in FIG. 6 allows the temperature for the first LNG stream 608 to be warmer than the prior art, while still providing the same temperature of the second LNG stream 605 in tank. This is because a larger amount of flash gas is produced than for the prior art cases. Therefore, the liquefaction and subcooling duty is reduced, lowering the overall power requirement for the facility. The embodiment also allows an equal power split between the precooling and liquefaction system.

In all the embodiments (FIG. 2-FIG. 6 and variations thereof), any liquid present in warm shell side streams from the precooling heat exchangers may be sent to vapor-liquid phase separators to remove any liquid prior to compressing the vapor in the WMR compressor. In alternate embodiments, if significant amounts of liquid are present in the warm shell side streams from the precooling heat exchangers, the liquid fraction may be pumped to be mixed with the discharge of any compression stage or mixed with one or more liquid streams to be introduced into a precooling heat exchanger, or introduced in a separate circuit in a precooling heat exchanger. For instance, in FIG. 5, any liquid present in the high pressure WMR stream 518, the low pressure WMR stream 519, or the medium pressure WMR stream 510 may be pumped to be mixed with the compressed WMR stream 514, or the first WMRL stream 575.

In all the embodiments, any aftercooler or intercooler can comprise multiple individual heat exchangers such as a desuperheater and a condenser.

In FIG. 2-6, a portion of the pretreated feed stream 202 in FIG. 2 may also be cooled and optionally liquefied in the flash gas exchanger 284 to produce supplemental LNG that may be let down in storage pressure and sent to the storage tank (not shown).

The temperature of the second precooled natural gas stream (206, 306, 406, 506) may be defined as the “precooling temperature”. The precooling temperature is the temperature at which the feed natural gas stream exits the precooling system and enters the liquefaction system. The precooling temperature has an impact on the power requirement for precooling and liquefying the feed natural gas.

As used herein the term “precooling power requirement” means the power required to operate the compressor 212 used to compress the precooling refrigerant under a particular set of operating conditions (feed stream flow rate, precooling, and liquefaction cold end temperatures, etc.). Similarly, the term “liquefaction power requirement” means the power required to operate the compressor 241 used to compress the liquefaction refrigerant under a particular set of operating conditions. The ratio of the precooling power requirement to the liquefaction power requirement is defined as the “power split” for the system. For the embodiments described in FIGS. 2-6, the power split is between 0.2 and 0.7, preferably between 0.3 and 0.6, and more preferably between 0.45 and 0.55.

The compressor 212 is driven by a driver 233, and compressor 241 is driven by a driver 235, each of which is schematically shown in FIG. 2. As is known in the art, each compressor in the system 200 requires a driver to operate. In the interest of simplifying the drawings, drivers are only shown on compressors which are part of the precooling and liquefaction subsystems. Any suitable driver known in the art could be used, such as an electric motor, aero-derivative gas turbine, or industrial gas turbine, for example.

36

As the power split increases, the power requirement for liquefaction system decreases and the precooling temperature decreases. In other words, the refrigeration load is shifted from the liquefaction system into the precooling system. This is beneficial for systems where the MCHE size and/or liquefaction power availability are controlling. As the power split reduces, the power requirement for liquefaction system increases and the precooling temperature increases. In other words, the refrigeration load is shifted from the precooling system into the liquefaction system. This arrangement is beneficial for systems wherein the precooling exchanger size, number, or precooling power availability is limiting. The power split is typically determined by the type, quantity, and capacity of the drivers selected for a particular natural gas liquefaction facility. For instance, if an even number of drivers is available, it may be preferable to operate at a power split of about 0.5, shifting the power load into the precooling heat exchanger, and lowering the precooling temperature. If an odd number of drivers is available, the power split may be between 0.3 and 0.5, shifting refrigeration load into the liquefaction system, and raising the precooling temperature.

A key benefit of all the embodiments is that it allows for optimization of the power split, number of the precooling heat exchangers, compression stages, pressure levels, and the precooling temperature based on various factors such as the number, quantity, type, and capacity of drivers available, number of heat exchangers, heat exchanger design criteria, compressor limitations, and other project-specific requirements.

For all the embodiments described, any number of pressure levels may be present in the precooling and liquefaction systems. Further, the refrigeration systems may be open or closed loop.

Example

The following is an example of the operation of an exemplary embodiment. The example process and data are based on simulations of a DMR process with a two pressure precooling circuit and a single pressure liquefaction circuit in an LNG plant that produces about 7.5 million metric tons per annum of LNG and specifically refers to the embodiment shown in FIG. 2. In order to simplify the description of this example, elements and reference numerals described with respect to the embodiment shown in FIG. 2 will be used.

A pretreated natural gas feed stream 202 at 91 bara (1320 psia), 24 degrees Celsius (75 degrees Fahrenheit), and a flowrate of 56,000 kgmoles/hr is mixed with a recycle stream 289 at 91 bara (1320 psia), 22 degrees Celsius (72 degrees Fahrenheit), and a flowrate of 5760 kgmoles/hr to produce a mixed feed gas stream, which is cooled in the first precooling heat exchanger 260 to produce a first precooled natural gas stream 204 at -22 degrees Celsius (-8 degrees Fahrenheit), which is cooled in the second precooling heat exchanger 262 to produce the second precooled natural gas stream 206 at -62 degrees Celsius (-80 degrees Fahrenheit).

A warm low pressure CMR stream (mixed feed stream) 201 at 3 bara (44 psia), -65 degrees Celsius (-85 degrees Fahrenheit) is compressed and cooled in multiple stages to produce a compressed cooled CMR stream 244 at 61 bara (891 psia) and 25 degrees Celsius (77 degrees Fahrenheit), which is cooled in the first precooling heat exchanger 260 to produce the first precooled CMR stream 246 at -22 degrees Celsius (-8 degrees Fahrenheit). The compressed cooled CMR stream 244 comprises 55% of components lighter than ethane and 95% of ethane and lighter components. It is then

cooled and fully condensed in the second precooling heat exchanger **262** to produce a second precooled CMR stream **248** at -62 degrees Celsius (-80 degrees Fahrenheit). 9 mole % of the second precooled CMR stream **248** is removed as a portion of CMR stream **248a** to be cooled in the flash gas exchanger **284** to produce a cooled portion of CMR stream **248b** at -156 degrees Celsius (-249 degrees Fahrenheit) and is let down in pressure in the CML expansion device and introduced into the shell-side of MCHE **264**.

The second precooled natural gas stream **206** is liquefied and optionally subcooled in the MCHE **264** to produce the first LNG stream **208** (referred to as a liquefied hydrocarbon stream in the claims) at a temperature of -140 degrees Celsius (-220 degrees Fahrenheit). The first LNG stream **208** is let down in pressure by passing it through the LNG pressure letdown device **211** to produce the reduced pressure LNG stream **203** at -159 degrees Celsius (-254 degrees Fahrenheit) and 1.2 bara (18 psia), which is then sent to the flash drum **207** to produce a flash gas stream **209** at 7,000 kgmoles/hr and a second LNG stream **205**. The flash gas stream **209** is 11 mole % of the reduced pressure LNG stream **203**. The second LNG stream **205** is letdown to storage pressure and sent to an LNG storage tank.

The flash gas stream **209** is warmed in a flash gas exchanger **284** to produce a warmed flash gas stream **285** at -3 degrees Celsius (-27 degrees Fahrenheit). The warmed flash gas stream **285** is then compressed in a flash gas compressor **286** to produce a compressed flash gas stream **287** at 52 degrees Celsius (126 degrees Fahrenheit) and 92 bara (1327 psia), which is cooled in a flash gas cooler **288** to produce the recycle stream **289**, and a fuel gas stream **289a** to be used as fuel in the facility. The fuel gas stream **289a** is 16 mole % of the flash gas stream **209**.

A low pressure WMR stream **210** (also referred to as a vaporized first refrigerant stream) at 3.8 bara (56 psia), -25 degrees Celsius (-13 degrees Fahrenheit), and 33,000 kgmole/hr is withdrawn from the warm end of shell side of a second precooling heat exchanger **262** and compressed in a first compression stage **212A** of a WMR compressor **212**. The medium pressure WMR stream **218** (also referred to as a medium pressure first refrigerant stream) at 7 bara (108 psia), 17 degrees Celsius (62 degrees Fahrenheit), and 42,125 kgmole/hr is withdrawn from the warm end of shell side of a first precooling heat exchanger **260** and introduced as a side-stream into the WMR compressor **212**, where it mixes with the compressed stream (not shown) from the first compression stage **212A**. The mixed stream (not shown) is compressed in a second WMR compression stage **212B** of the WMR compressor **212** to produce the high-high pressure WMR stream **270** (also referred to as a high-high pressure first refrigerant stream) at 26 bara (372 psia) and 79 degrees Celsius (175 degrees Fahrenheit).

The high-high pressure WMR stream **270** is withdrawn from the WMR compressor **212**, and cooled and partially condensed in the high-high pressure WMR intercooler **271** to produce a cooled high-high pressure WMR stream **272** at 25 bara (363 psia), 25 degrees Celsius (77 degrees Fahrenheit), and vapor fraction of 0.44. The cooled high-high pressure WMR stream **272** is phase separated in a first WMR vapor-liquid separation device **273** to produce a first WMRV stream **274** and a first WMRL stream **275**. The first WMRL stream **275** contains 56% of ethane and lighter hydrocarbons while the first WMRV stream **274** contains 80% of ethane and lighter hydrocarbons. The first WMRL stream **275** is introduced into the first precooling heat exchanger **260** to be cooled in a tube circuit to produce a first further cooled WMR stream **236** at -22 degrees Celsius (-8 degrees

Fahrenheit) that is expanded in a first WMR expansion device **226** to produce a first expanded WMR stream **228** at 8 bara (115 psia) and -25 degrees Celsius (-13 degrees Fahrenheit) that provides refrigeration duty to the first precooling heat exchanger **260**.

The first WMRV stream **274** is introduced into the WMR compressor **212** to be compressed in a third WMR compression stage **212C** to produce a compressed WMR stream **214** at 41 bara (598 psia) and 48 degrees Celsius (119 degrees Fahrenheit). The compressed WMR stream **214** is cooled and preferably condensed in a WMR aftercooler **215** to produce a first cooled compressed WMR stream **216** at 25 degrees Celsius (77 degrees Fahrenheit), which is introduced into the first precooling heat exchanger **260** to be further cooled in a tube circuit to produce a first precooled WMR stream **217** at -22 degrees Celsius (-8 degrees Fahrenheit). 5 mole % of the first cooled compressed WMR stream **216** is removed from the precooling system as a portion of WMR stream **216a** and is cooled in the flash gas exchanger **284** to produce a cooled portion of WMR stream **216b** at -63 degrees Celsius (-81 degrees Fahrenheit). The first WMRL stream **275** is 16 bara lower in pressure than the first cooled compressed WMR stream **216**.

The first precooled WMR stream **217** is introduced into the second precooling heat exchanger **262** to be further cooled in a tube circuit to produce a second further cooled WMR stream **237** at -62 degrees Celsius (-80 degrees Fahrenheit). The second further cooled WMR stream **237** is expanded in a second WMR expansion device **230** to produce a second expanded WMR stream **232** at 3 bara (47 psia) and -57 degrees Celsius (-70 degrees Fahrenheit), which is introduced into the shell side of the second precooling heat exchanger **262** to provide refrigeration duty.

In this example, the power split is 0.52. This embodiment has a process efficiency of about 7% higher than that corresponding to FIG. 1 and a precooling temperature about 18 degrees Celsius colder than that for FIG. 1. Therefore, this example demonstrates that the embodiments described herein provide an efficient method and system to improve the efficiency and overall capacity of the facility.

The invention claimed is:

1. An apparatus for liquefying a hydrocarbon feed stream comprising:

- a compression subsystem comprising at least one compression stage;
- a precooling subsystem comprising:
 - a plurality of heat exchange sections, the plurality of heat exchange sections comprising a first heat exchange section and a second heat exchange section, the first heat exchange section being warmer than the second heat exchange section;
 - a first hydrocarbon circuit that extends through each of the plurality of heat exchange sections, the first hydrocarbon circuit being downstream from and in fluid flow communication with a supply of a hydrocarbon fluid;
 - a first precooling refrigerant circuit that extends through the first heat exchange section and the compression subsystem, the first precooling refrigerant circuit containing a first portion of a first refrigerant;
 - a second precooling refrigerant circuit that extends through the first heat exchange section, the second heat exchange section and the compression subsystem, the second precooling refrigerant circuit containing a second portion of the first refrigerant;
 - a main heat exchanger having a second hydrocarbon circuit that is downstream from and in fluid flow

39

- communication with the first hydrocarbon circuit for receiving a precooled hydrocarbon stream from the first hydrocarbon circuit, the main heat exchanger being operationally configured to at least partially liquefy the precooled hydrocarbon stream by indirect heat exchange against a second refrigerant to product a first liquefied hydrocarbon stream;
- a second refrigerant circuit that extends through each of the plurality of heat exchange sections and the main heat exchanger, the second refrigerant circuit containing a second refrigerant, the second refrigerant circuit being operationally configured to provide refrigeration to the main heat exchanger;
- a flash drum downstream from and in fluid flow communication with the main heat exchanger for receiving a first liquefied hydrocarbon stream from the main heat exchanger and that is operationally configured to separate the first liquefied hydrocarbon stream into a flash gas stream and a second liquefied hydrocarbon stream; and
- a recycle gas circuit downstream from and in fluid flow communication with the flash drum, the recycle stream having a recycle stream mixing point that is in fluid flow communication with the first hydrocarbon circuit upstream from the first heat exchange section;
- wherein compression subsystem and precooling subsystem are operationally configured to supply the first portion of the first refrigerant to the first heat exchange section through the first precooling refrigerant circuit at a first precooling refrigerant inlet pressure and with a first precooling refrigerant composition, and to remove a first vaporized first refrigerant from the first heat exchange section at a first precooling refrigerant outlet pressure;
- wherein compression subsystem and precooling subsystem are operationally configured to supply the second portion of the first refrigerant to the first heat exchange section through the second precooling refrigerant circuit at a second precooling refrigerant inlet pressure and with a second precooling refrigerant composition, and to remove a second vaporized first refrigerant from the second heat exchange section at a second precooling refrigerant outlet pressure, the second precooling refrigerant inlet pressure being higher than the first precooling refrigerant inlet pressure, the second precooling refrigerant outlet pressure being lower than the first precooling refrigerant outlet pressure, and the second precooling refrigerant composition being different from the first precooling refrigerant composition.
2. The apparatus of claim 1, wherein the main heat exchanger is a coil-wound heat exchanger.
3. The apparatus of claim 1, wherein the compression subsystem and precooling subsystem are operationally configured to remove the second vaporized first refrigerant from the second heat exchange section at a second precooling refrigerant outlet pressure that is at least 5 bara lower than the first precooling refrigerant outlet pressure.
4. The apparatus of claim 1, wherein the recycle gas circuit further comprises a flash heat exchanger located downstream from and in fluid flow communication with the flash drum.
5. An apparatus for liquefying a hydrocarbon feed stream comprising:
- a plurality of heat exchange sections, the plurality of heat exchange sections comprising a first heat exchange

40

- section and a second heat exchange section, the first heat exchange section being warmer than the second heat exchange section;
- a first hydrocarbon circuit that extends through each of the plurality of heat exchange sections, the first hydrocarbon circuit being downstream from and in fluid flow communication with a supply of a hydrocarbon fluid;
- a first precooling refrigerant circuit that extends through the first heat exchange section, the first precooling refrigerant circuit containing a first portion of a first refrigerant;
- a second precooling refrigerant circuit that extends through the first heat exchange section and the second heat exchange section, the second precooling refrigerant circuit containing a second portion of the first refrigerant;
- a second refrigerant circuit that extends through each of the plurality of heat exchange sections, the second refrigerant circuit containing a second refrigerant;
- a first precooling refrigerant circuit inlet located at an upstream end of the first precooling refrigerant circuit, a first pressure letdown device located at a downstream end of the first precooling refrigerant circuit, and a first expanded refrigerant conduit downstream from and in fluid flow communication with the first pressure letdown device and upstream from and in fluid flow communication with a first cold circuit of the first heat exchange section;
- a second precooling refrigerant circuit inlet located at an upstream end of the second precooling refrigerant circuit, a second pressure letdown device located at a downstream end of the second precooling refrigerant circuit, and a second expanded refrigerant conduit downstream from and in fluid flow communication with the second pressure letdown device and upstream from and in fluid flow communication with a second cold circuit of the second heat exchange section;
- a compression system comprising:
- a low pressure first refrigerant conduit in fluid flow communication with a first compression stage and a warm end of the second heat exchange section;
- a medium pressure first refrigerant conduit in fluid flow communication with a second compression stage and a warm end of a first heat exchange section;
- a first aftercooler downstream from the second compression stage;
- a first vapor-liquid separation device having a first inlet in fluid flow communication with, and downstream from, the first aftercooler, a first vapor outlet located in an upper half of the first vapor-liquid separation device, a first liquid outlet located in a lower half of the first vapor-liquid separation device, the first liquid outlet being upstream from and in fluid flow communication with the first precooling refrigerant circuit inlet;
- a third compression stage downstream from the first vapor outlet; and
- a second aftercooler downstream from the third compression stage;
- a main heat exchanger having a second hydrocarbon circuit that is downstream from and in fluid flow communication with the first hydrocarbon circuit for receiving a precooled hydrocarbon stream from the first hydrocarbon circuit, the main heat exchanger being also downstream from and in fluid flow communication with the second refrigerant circuit of the plurality of heat exchange sections, the main heat exchanger being

41

operationally configured to at least partially liquefy the pre-cooled hydrocarbon stream by indirect heat exchange against the second refrigerant to produce a first liquefied hydrocarbon stream;

a second vapor-liquid separation device downstream from and in fluid flow communication with the main heat exchanger that is operationally configured to separate the first liquefied hydrocarbon stream into a flash gas stream and a second liquefied hydrocarbon stream;

a recycle gas circuit downstream from and in fluid flow communication with the third vapor-liquid separation device, the recycle gas circuit extending through a flash heat exchanger and having a recycle stream outlet in fluid flow communication with the first hydrocarbon circuit upstream from the first heat exchange section; and

wherein the flash gas heat exchanger is operationally configured to warm the flash gas stream against at least one warming stream;

wherein the first heat exchange section is operationally configured to partially precool the hydrocarbon fluid flowing through the first hydrocarbon circuit, the second refrigerant flowing through the second refrigerant circuit, the first portion of the first refrigerant flowing through the first precooling first refrigerant circuit, and the second portion of the first refrigerant flowing through the second precooling refrigerant circuit against the first portion of the first refrigerant flowing through the first cold circuit of the first heat exchange section; and

wherein the second heat exchange section is operationally configured to precool the hydrocarbon fluid flowing through the first hydrocarbon circuit to produce a pre-cooled hydrocarbon stream, to precool the second refrigerant flowing through the second refrigerant circuit to produce a pre-cooled second refrigerant stream, and to pre-cool the first refrigerant flowing through the second precooling refrigerant circuit against the first refrigerant flowing through the first cold circuit of the second heat exchange section.

6. The apparatus of claim 5, wherein the first compression stage, the second compression stage, and the third compression stage are located within a single casing of a first compressor.

7. The apparatus of claim 5, the compression system further comprising a first intercooler downstream from the second compression stage and a cooled first intermediate refrigerant conduit downstream from and in fluid flow communication with the first intercooler.

8. The apparatus of claim 7, further comprising a high pressure first refrigerant conduit in fluid flow communication with a warm end of the first heat exchange section and the cooled first intermediate refrigerant conduit.

9. The apparatus of claim 7, further comprising:

a third aftercooler downstream from the first vapor-liquid separation device; and

a second vapor-liquid separation device having a third inlet in fluid flow communication with and downstream from the third aftercooler, a second vapor outlet located in an upper half of the second vapor-liquid separation device, a second liquid outlet located in a lower half of the second vapor-liquid separation device.

10. The apparatus of claim 5, wherein the second precooling refrigerant circuit extends through the first heat exchange section, the first heat exchange section, and the second heat exchange section.

42

11. The apparatus of claim 5, wherein the second portion of the first refrigerant contained in the second precooling refrigerant circuit has a higher concentration of ethane and lighter components than the first portion of the first refrigerant contained in the first precooling refrigerant circuit.

12. The apparatus of claim 5 comprising a third precooling refrigerant circuit that extends through at least the first heat exchange section and the second heat exchange section, the third precooling refrigerant circuit containing a third portion of the first refrigerant.

13. The apparatus of claim 5, wherein the main heat exchanger is a single-bundle coil wound heat exchanger.

14. The apparatus of claim 5, wherein the recycle gas circuit further comprises a compressor downstream from and in fluid flow communication with the flash heat exchanger and a flash gas cooler downstream from and in fluid flow communication with the compressor.

15. The apparatus of claim 5, wherein the at least one warming stream comprises a first portion of the pre-cooled second refrigerant stream.

16. The apparatus of claim 5, wherein the at least one warming stream comprises a first portion of the first refrigerant, the first portion of the first refrigerant being taken from the second precooling refrigerant circuit upstream from the first heat exchange section and downstream from the second aftercooler.

17. The apparatus of claim 5, wherein the first refrigerant has a first composition and the second refrigerant has a second composition, the first composition being different from the second composition.

18. An apparatus for liquefying a hydrocarbon feed stream comprising:

a plurality of heat exchange sections, the plurality of heat exchange sections comprising a first heat exchange section and a heat exchange section, the first heat exchange section being warmer than the second heat exchange section;

a first hydrocarbon circuit that extends through each of the plurality of heat exchange sections, the first hydrocarbon circuit being downstream from and in fluid flow communication with a supply of a hydrocarbon fluid;

a precooling refrigerant circuit that extends through the plurality of heat exchange sections, the precooling refrigerant circuit containing a first refrigerant, the precooling refrigeration circuit being operationally configured to direct a first portion of the first refrigerant through an expansion device and into a shell side of the first heat exchange section and a second portion of the first refrigerant through the second heat exchange section, through an expansion device and into a shell side of the second heat exchange section;

a second refrigerant circuit that extends through each of the plurality of heat exchange sections, the second refrigerant circuit containing a second refrigerant;

a compression system comprising:

a low pressure first refrigerant conduit in fluid flow communication with a first compression stage and a warm end of the second heat exchange section;

a medium pressure first refrigerant conduit in fluid flow communication with a second compression stage and a warm end of the first heat exchange section;

a first aftercooler downstream from the second compression stage;

a first vapor-liquid separation device having a first inlet in fluid flow communication with, and downstream from, the first aftercooler, a first vapor outlet located in an upper half of the first vapor-liquid separation

43

device, a first liquid outlet located in a lower half of the first vapor-liquid separation device;

a third compression stage downstream from the first vapor outlet; and a second aftercooler downstream from the third compression stage;

a pump located downstream from and in fluid flow communication with the first liquid outlet, the pump being located upstream from and in fluid flow communication with the precooling refrigerant circuit;

a main heat exchanger having a second hydrocarbon circuit that is downstream from and in fluid flow communication with the first hydrocarbon circuit for receiving a pre-cooled hydrocarbon stream from the first hydrocarbon circuit, the main heat exchanger being also downstream from and in fluid flow communication with the second refrigerant circuit, the main heat exchanger being operationally configured to at least partially liquefy the pre-cooled hydrocarbon stream by indirect heat exchange against the second refrigerant to produce first liquefied hydrocarbon stream;

a second vapor-liquid separation device downstream from and in fluid flow communication with the main heat exchanger that is operationally configured to separate the first liquefied hydrocarbon stream into a flash gas stream and a second liquefied hydrocarbon stream; and

a recycle gas circuit downstream from and in fluid flow communication with the second vapor-liquid separation device, the recycle gas circuit extending through a

44

flash heat exchanger and having a recycle stream outlet in fluid flow communication with the first hydrocarbon circuit upstream from the first heat exchange section; wherein the flash gas heat exchanger is operationally configured to warm the flash gas stream against at least one warming stream;

wherein the first heat exchange section is operationally configured to partially precool the hydrocarbon fluid flowing through the first hydrocarbon circuit, the second refrigerant flowing through the second refrigerant circuit, and the first refrigerant flowing through the first refrigerant circuit against the first portion of the first refrigerant flowing through the shell side of the first heat exchange section; and

wherein the second heat exchange section is operationally configured to precool the hydrocarbon fluid flowing through the first hydrocarbon circuit to produce a pre-cooled hydrocarbon stream, to precool the second refrigerant flowing through the second refrigerant circuit to produce a pre-cooled second refrigerant stream, and to pre-cool the first refrigerant flowing through the first precooling refrigerant circuit against the second portion of the first refrigerant flowing through the shell side of the second heat exchange section.

19. The apparatus of claim 18, wherein the main heat exchanger is a coil-wound heat exchanger.

* * * * *