

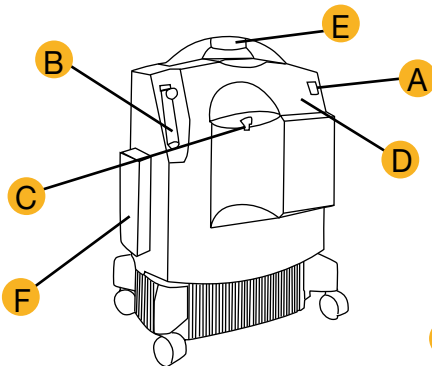
Oxygen concentrators

Your equipment

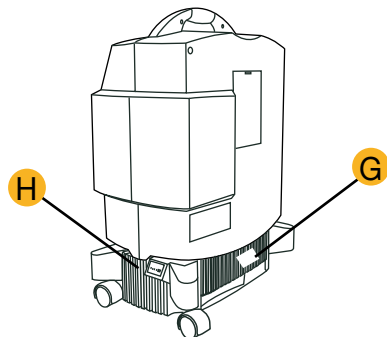
Before using your concentrator you should first become familiar with its components. Important parts of the concentrator include:

Respironics Millennium concentrator

- A** On/Off switch
- B** Flow meter/Adjustment knob
- C** Oxygen outlet
- D** Operation indicator lights
- E** Handle grip
- F** Filter
- G** Power socket
- H** Hour meter



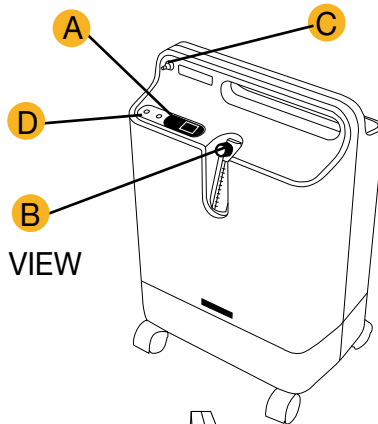
FRONT VIEW



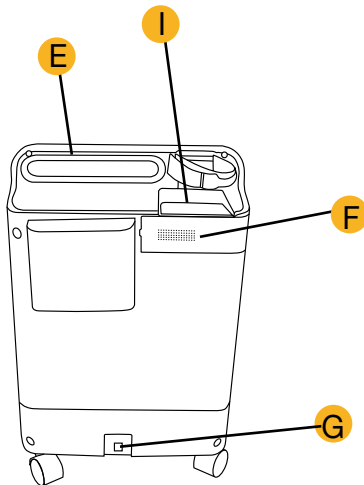
BACK VIEW

Everflo concentrator

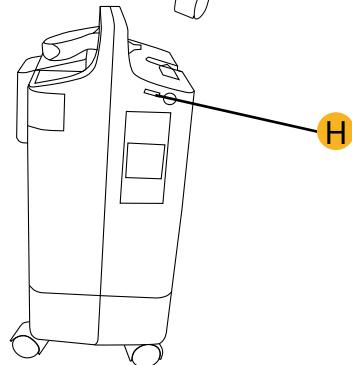
- A** On/Off switch
- B** Flow meter/Adjustment knob
- C** Oxygen outlet
- D** Operation indicator lights
- E** Handle grip
- F** Air inlet (covered by a filter door with tiny holes)
- G** Power socket
- H** Hour meter
- I** Area for humidifier



FRONT VIEW



BACK VIEW



SIDE VIEW